

Armadillo LED - Evolution In Lighting

Tel. 0845 060 4000 Intl. +44 1371 87 69 69
Fax. 0845 060 4001 Intl. +44 1371 87 54 37

Bigods Hall | Bigods Lane | Great Dunmow | Essex | CM6 3BE | England

email: sales@armark.com web: www.armadilloLED.com online: @armadilloled



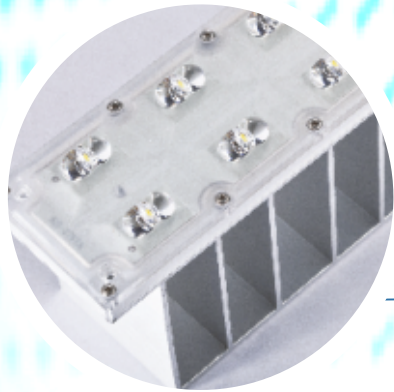
AZURE LED STREET LIGHT

**PHOTOCELL and CMS READY
ADJUSTABLE TILT HEAD
5 YEAR WARRANTY**



© 2014 Armadillo LED - Evolution In Lighting (part of Armadillo Marketing Limited est. 1996)
All rights reserved. Reproduction in whole or in part is prohibited without the prior written consent of the copyright owner. The information presented in this document does not form part of any quotation or contract, is believed to be accurate and reliable and may be changed without notice.
No liability will be accepted by the publisher for any consequence of its use.





Modular Design

Easy assembly and maintenance;
Replaceable and upgradeable;
Excellent thermal management.



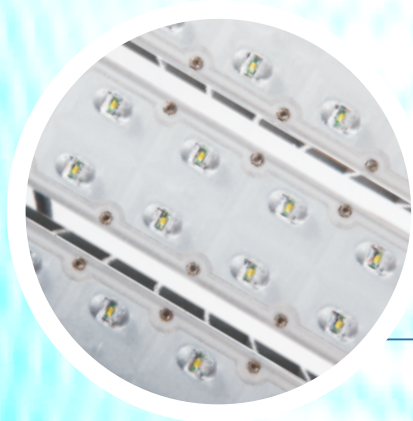
Mechanical Structure

Flexible options
for alternative CMS systems
or LED electronic driver(s).



Mounting interface

Adaptive for almost all the arm outer
diameters.
Adjustable spigot/tenon meet's post/pole
top mounting.



Optics & photometrics

Unique optics solution optimises the
light distribution to comply with road
lighting standards.



Leds

High reliability and performance powered by
the best LED light source supplier;
LM-80 compliant;
L80F10 - 75,000hrs life time and lumen maintenance.



Photocell

Available interface for the NEMA
photoelectric control unit (PECU),
or any NEMA socket control option.



Power Supply

Worldwide certified universal
input voltage and frequency

AZURE IP66 LED Street Light

AZURE IP66 LED Street Light Family



Fully Adjustable arm
Easy Assembly on 60mm dia arm
optional 50mm, 76mm, 89mm, 114mm, 127mm, 140mm spigot/tennon available

Dusk till dawn Light sensor UL LISTED (optional)

- Compliance with ME, CE and S lighting classes
- Compliance with BS EN 60598-1
- The optical system of the Luminaire of IP rating in accordance with BSEN 60529
- Glare class in accordance with BS EN 13201
- Compliance with BS EN 13201
- Photometric files available on Lighting Reality

Optical specification:

Colour Temp.	5000K (Option: 4000K)
Colour Render Index	>70CRI (Options: Ra>75, Ra>80
Light Distribution	T4 Lens (A2M111) (Option: T3)
Operating temp.	-40°C ~ +50°C
L80 F10	75000hrs

Electrical Specification:

Input voltage:	120~277V 50/60Hz (Option: 347~480V 50/60Hz)
Power Factor:	>0.95
Drive current:	700mA
Dimming:	1-10V, DALi, PWM Optional: (LeafNut and other CMS)

Components and materials:

LED Light source:	CREE XP-G2 Series
Power supply:	XANTIUM Series powered by PHILIPS or extended voltage Mean Well HVGC Series
Housing:	Die cast aluminium
Heatsink:	Extruded aluminium
Optic Lens:	PMMA
IP rating:	IP66 (BS EN 60529)
UK rating:	IK10 (BS EN 62262)

Ease of install and application with a fully adjustable bracket for a one design fits all angles approach, from a single product. Simple scaling for the correct light levels by height, design and regulation, ArmadilloLED have a modularised approach to suit every lighting criteria, to maximise light energy efficiencies.

Enhanced optics and use of the latest CREE XP-G2 range of high output LED chips delivers, at last, a genuine cost effective LED Street Light solution. Additional control for the range can be delivered with integrated photocell and dimming, a class leading design from one of the UK's top LED lighting manufacturers.

Key Features and Benefits:

Mechanical structure and thermal management
Unique heat sink which enables better air ventilation, heat dissipation, and dust resistance.
Easy assembly, easy installation, and easy maintenance.
Modular design, replaceable and repairable led light module(s).
Adjustable fixture, easy tilting angle adjustment.
Lamp housing body colour White Gloss (Other colours - made to order at no additional cost)

Electrical and optics

Wide wattage options – 30W minimum and 300W maximum, based on 30W each replaceable module.
Available for almost all types of road or area illumination applications, including Type I, II, III and Type IV light distribution.

- Selection of Made to order CCT - KELVIN range - standard 5000K - Options 3000K, 4000K (*/-250K)
- Critical failure protection - Two Independent power supply for lamps 150W - 300W as standard.
- Choose from input voltage solutions – 120~277Vac, 220~240Vac, 347-480Vac.
- Optional UNIQUE 480V+ Single / Three Phase Voltage protection (switch-off to stand by - 15 sec. restart mode)

LED technology with higher system efficacy achieving up to 60% or more energy savings than typical conventional HPS lighting solutions.

- Unique optics and photometrics design optimize the light distribution to comply with safety and road lighting standards in terms of illuminance, luminance, uniformity, glare control etc., successfully retrofitting HPS road lighting solutions.

- Dynamic dimming options allows further significant energy savings during off peak hours.
- Optional intelligent wireless road lighting management system.

UL Listed interface for the NEMA photoelectric control unit (PECU).

Top assured safety and performance - UL E364004, FCC, CSA, TUV-GS CE, CB, RoHS, LM-79, LM-80

High reliability and high performance LED light source and LED power supply – Xitanium LED electronic driver

5 years standard warranty as standard for complete luminaire

Successful LED road lighting application references all over the world.

CMS Management - Suitable for additional CMS control system to be build INSIDE the lamp. Leaf-Nut compatible.



Technical Parameters

Optics & Photometrics

LED Color Temperature	4500K~5300K (Options: 4000K and 3000K)
Color Rendering Index	Ra>70 (Options: Ra=75, Ra=80)
Light Distribution & LENS Kit Options	T3 Lens (Type II Medium) T4 (Type II Medium) T5 (Type III Long); T6 (Type IV Very Short);
Lamp Housing body colour	White Gloss (Options: Other ANSI, RAL Colour Available on request - no additional cost)

Electrical

Input Voltage	120~200~240~277V 50/60Hz	(Option: 347~480V 50/60Hz)
Power Factor	>0.95	
Drive Current	700mA LED	

Model No	Nominal Power (W)	System Power (W)	# of LEDs	TESTED delivered lumens-@ 5000K	Weight
AZURE 030	30	35	1 x 14	>3350	3.4 kg
AZURE 060	60	65	2 x 14	>6350	4.3 kg
AZURE 090	90	95	3 x 14	>9850	5.3 kg
AZURE 120	120	125	4 x 14	>12800	6.3 kg
AZURE 150	150	155	5 x 14	>15200	7.3 kg
AZURE 180	180	185	6 x 14	>19200	8.3 kg
AZURE 210	210	215	7 x 14	>22400	9.3 kg
AZURE 240	240	245	8 x 14	>25650	10.3 kg
AZURE 270	270	275	9 x 14	>29100	11.3 kg
AZURE 300	300	305	10 x 14	>32700	12.3 kg

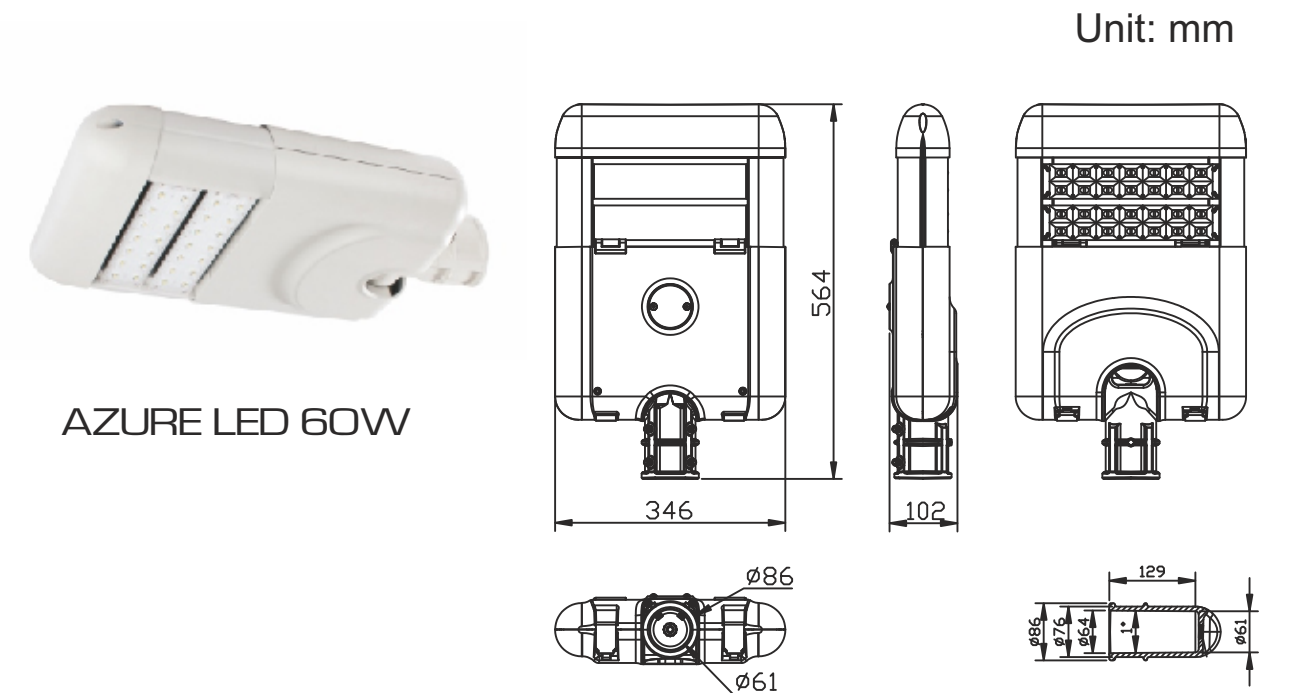
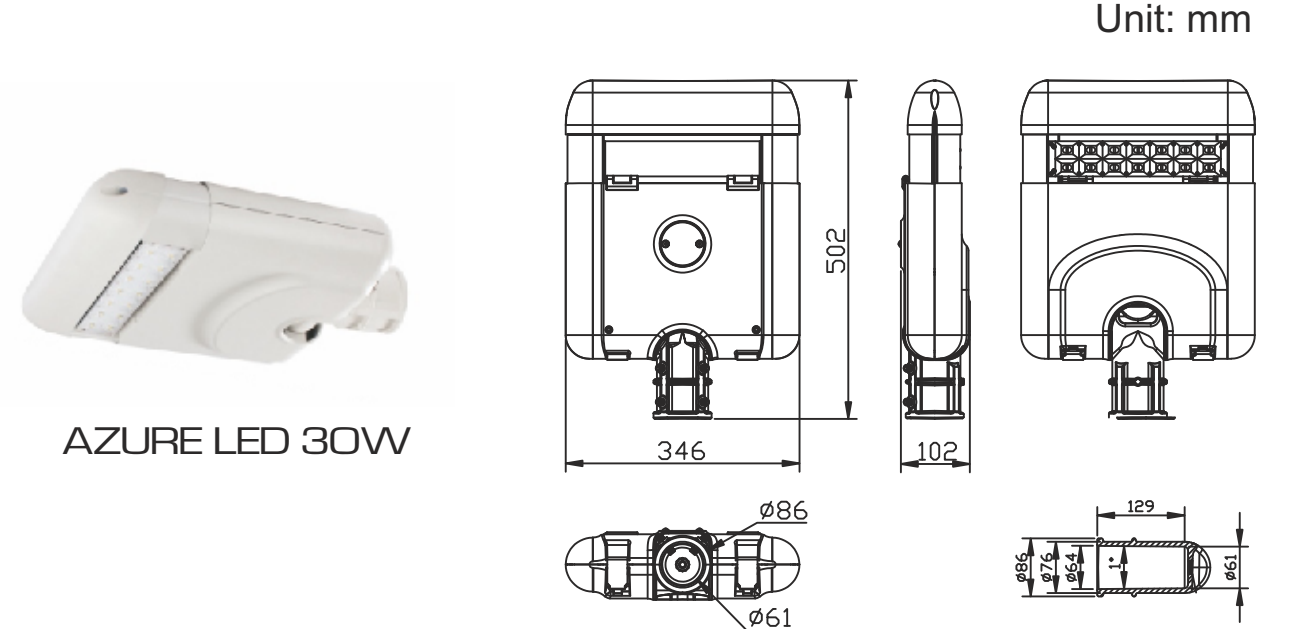
Other

Operating Temperature & Humidity:	-40°C ~ +55°C/10~95RH
Classification:	IP66, Class I.
L80F10 hours @ 25°C:	75,000hrs

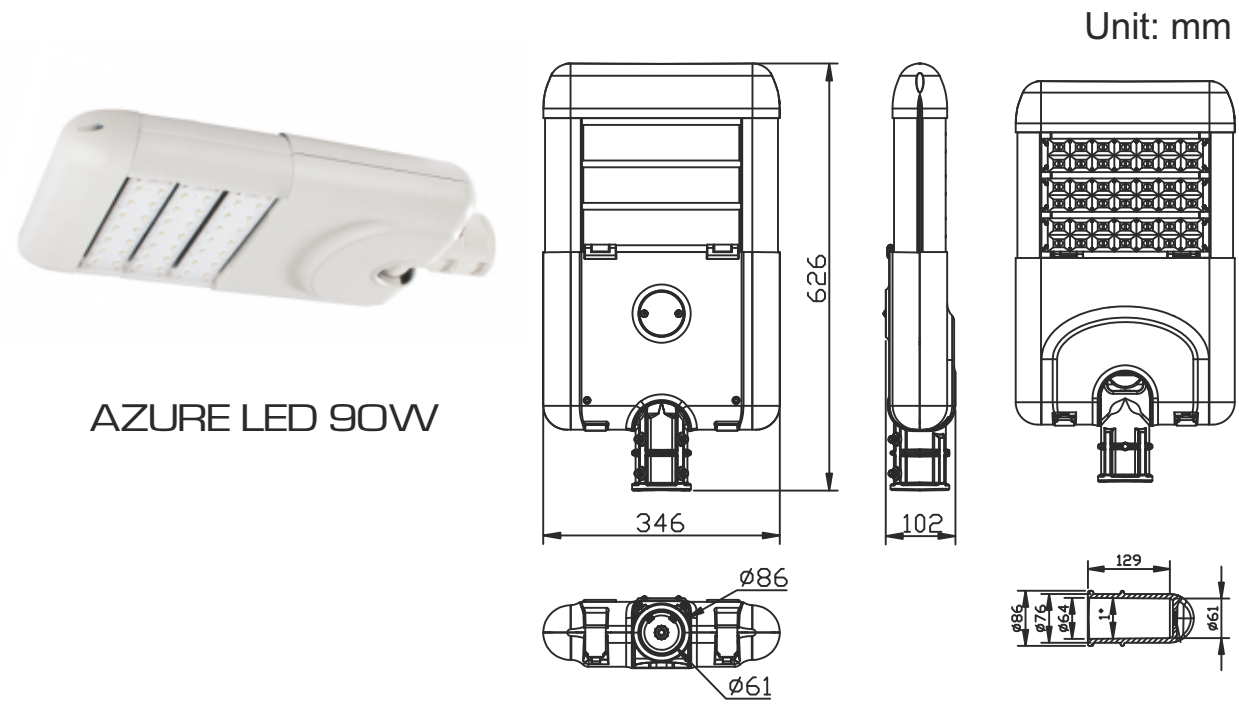
Main components

CREE XP-G2 Series LEDs + Xitanium LED Driver(s)
Die cast aluminium alloy housing + Extruded aluminium alloy heatsink
Over Voltage protected (Options: Strike Voltage 480V Single phase protect)

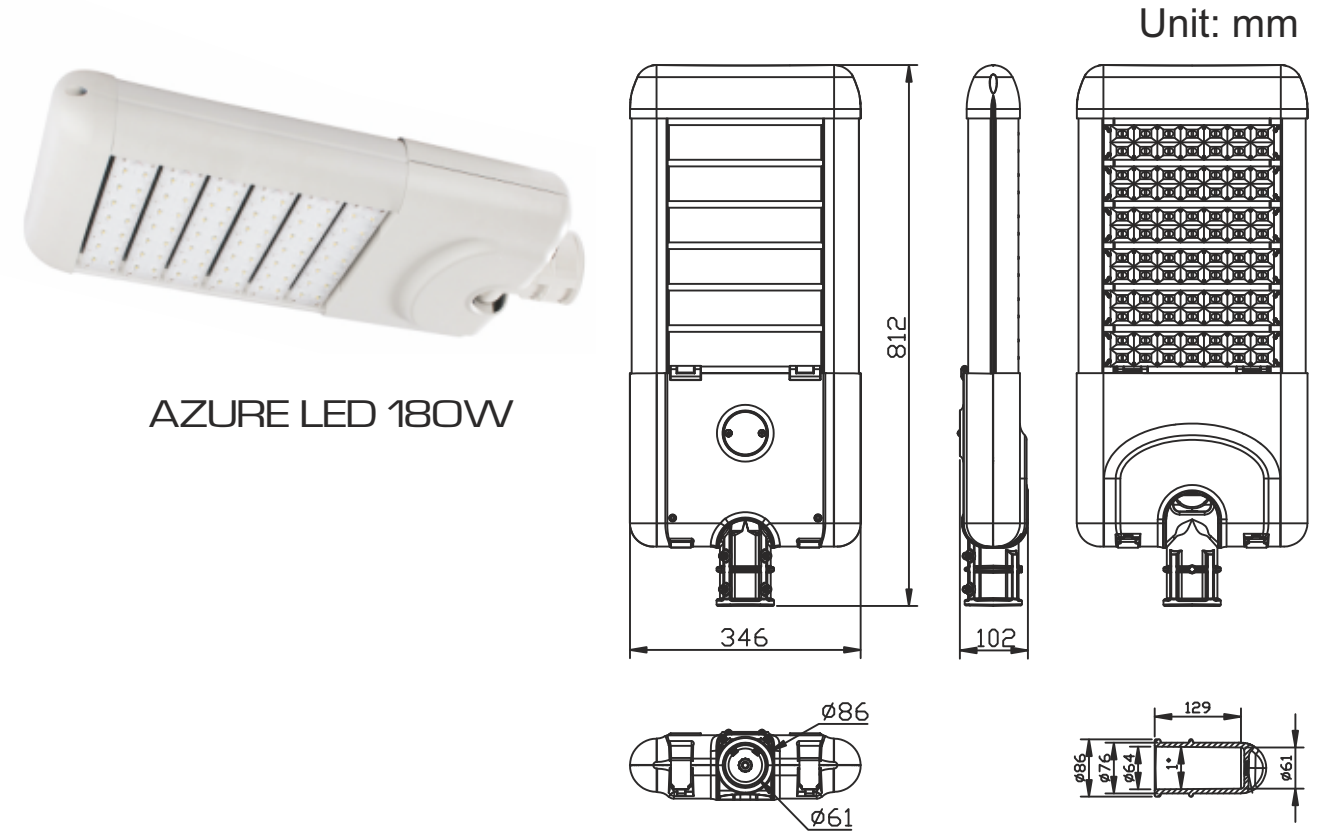
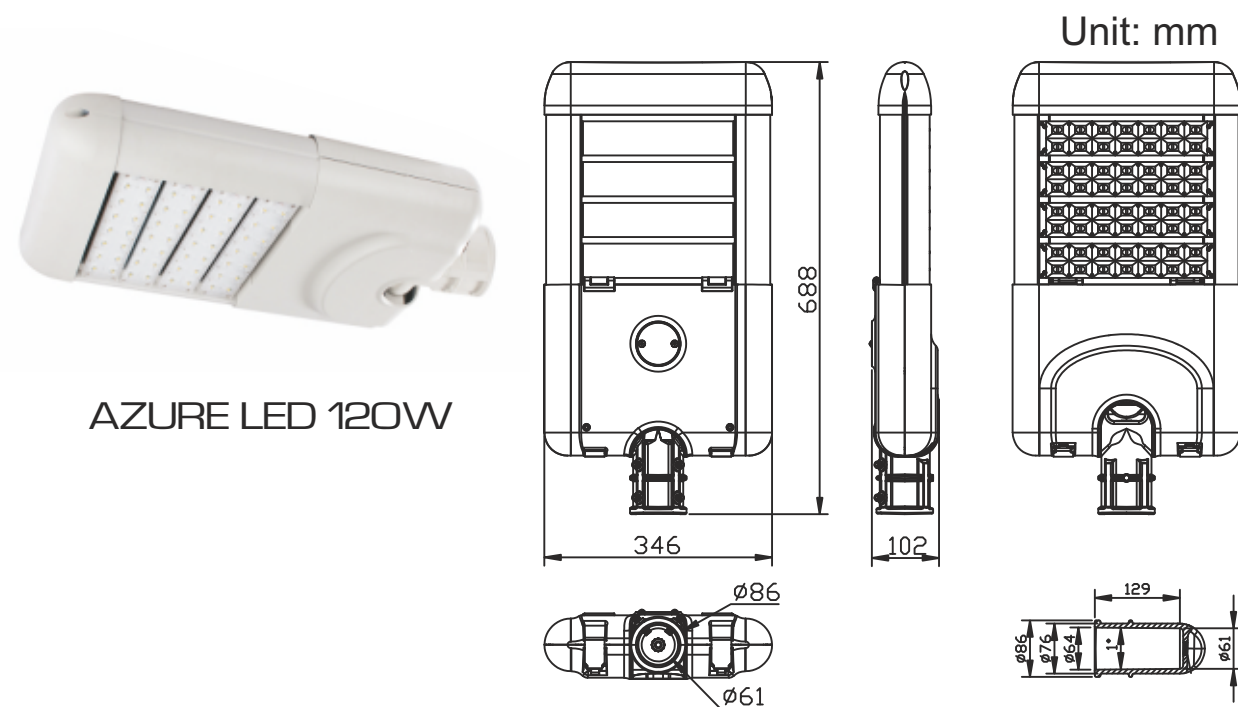
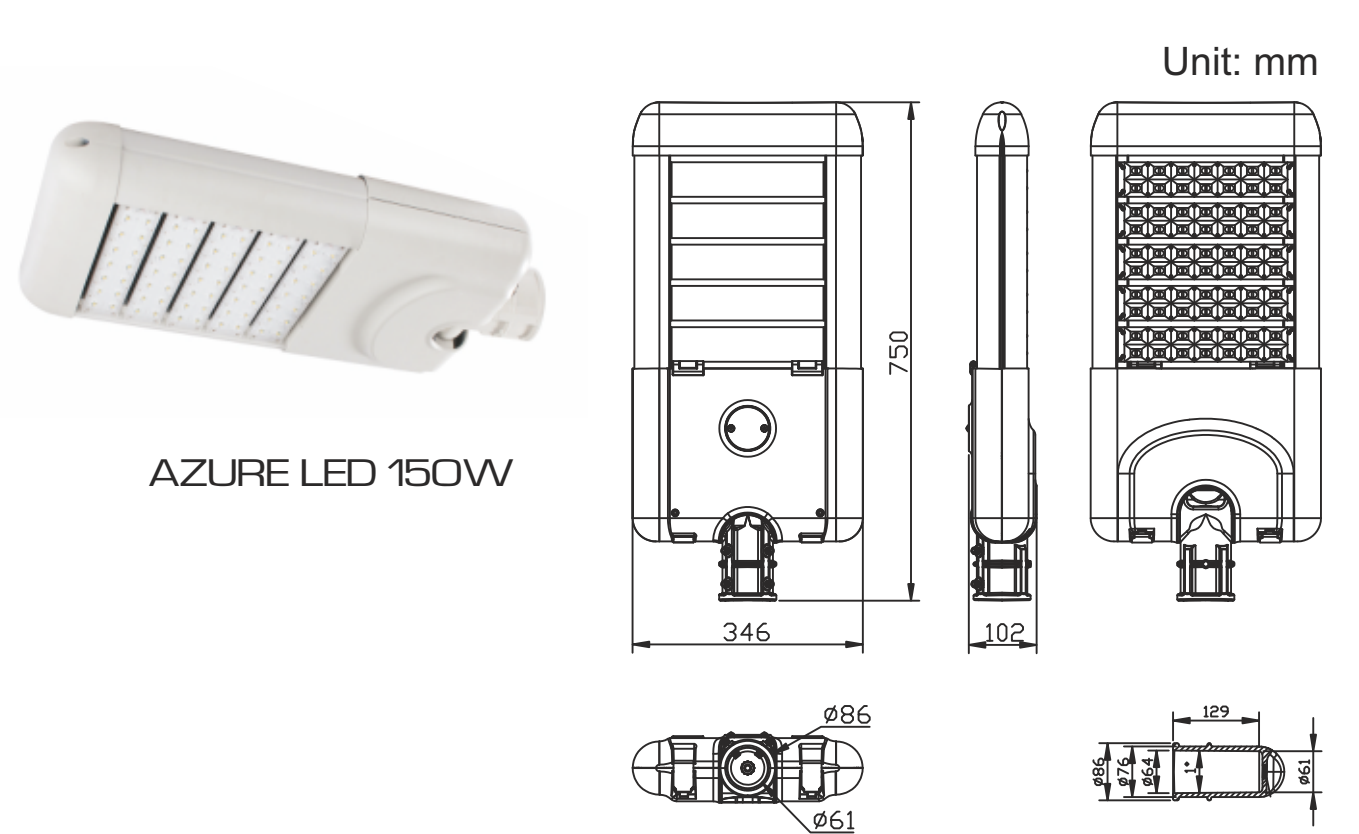
Product Images and Dimensions



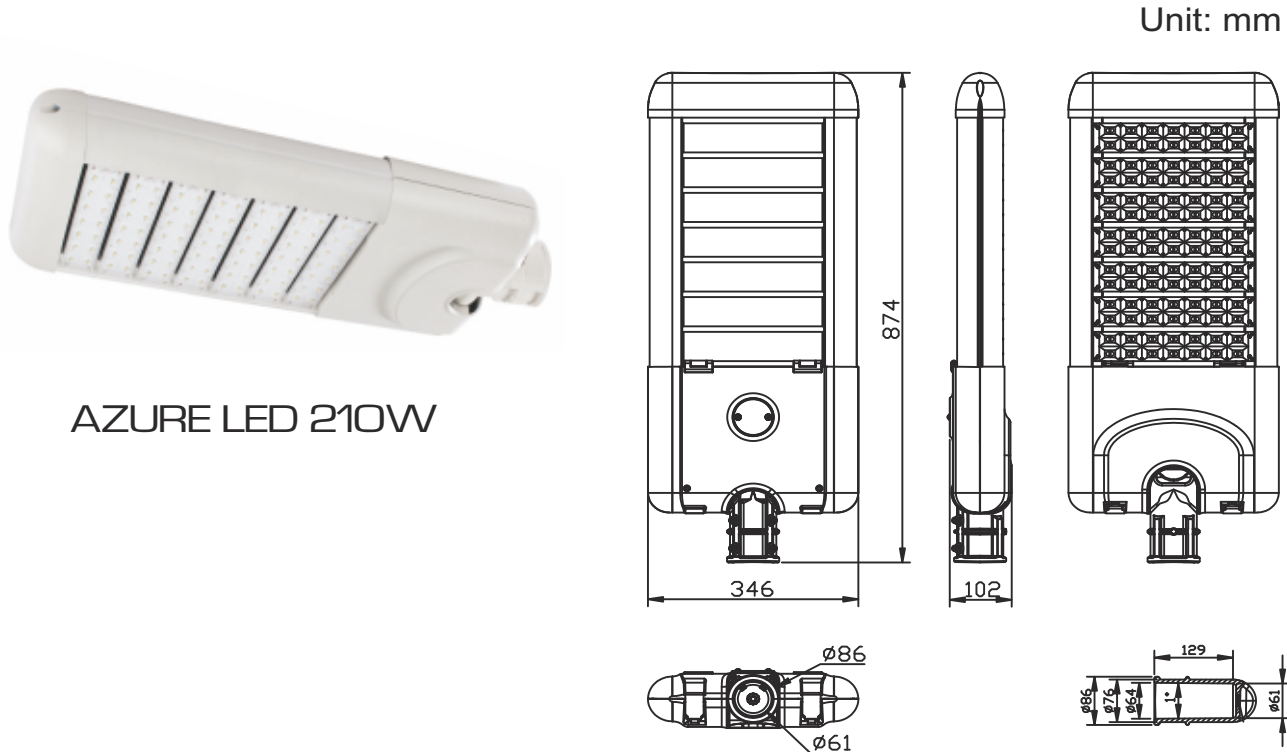
Product Images and Dimensions



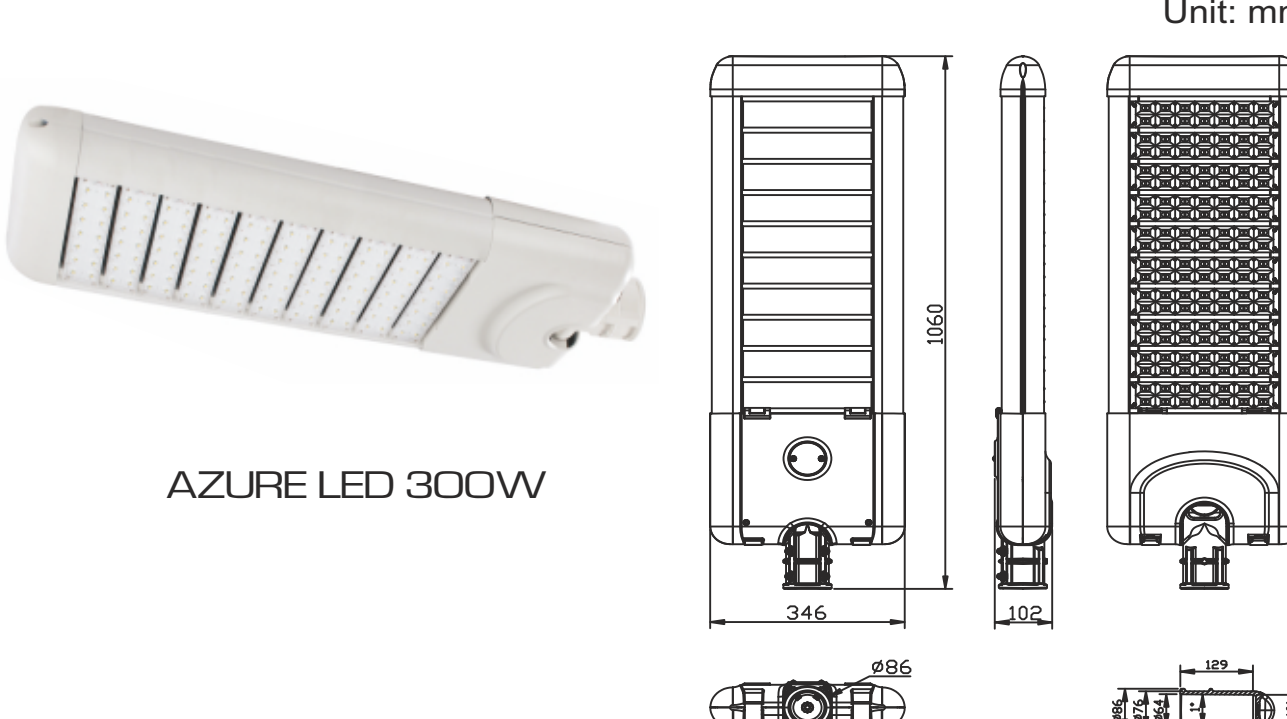
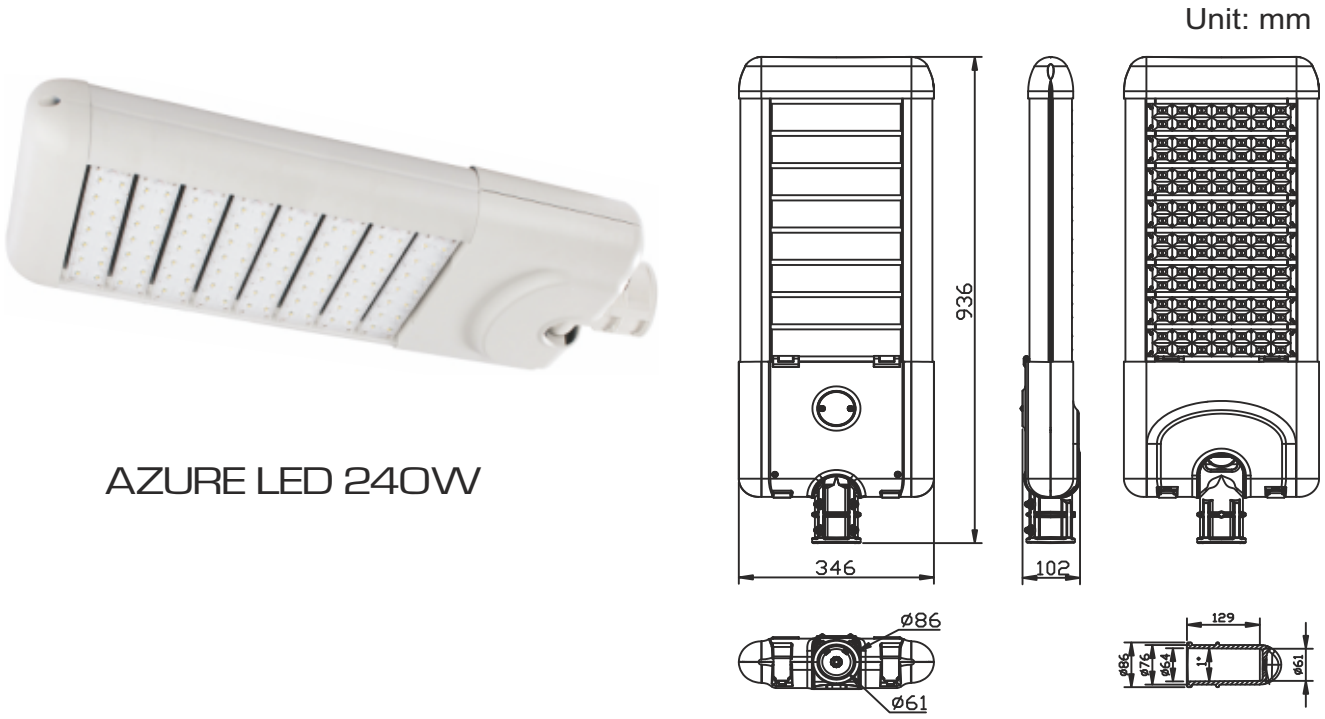
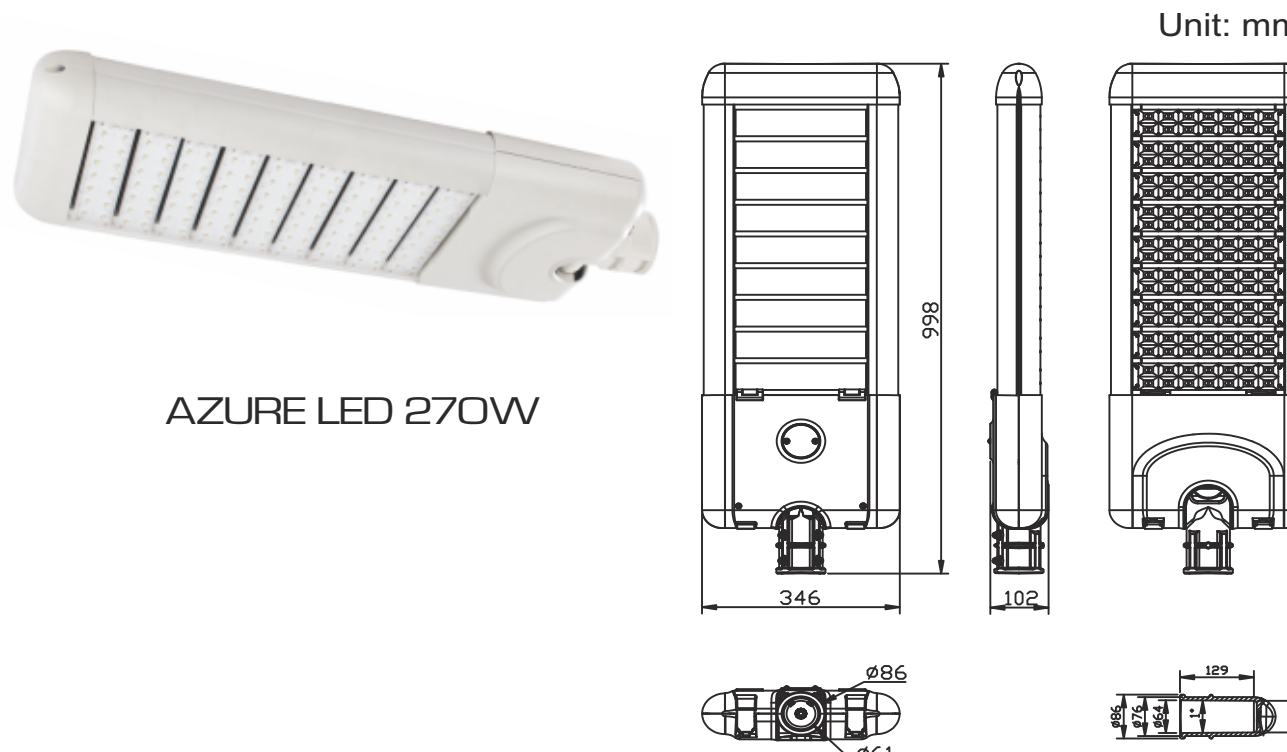
Product Images and Dimensions



Product Images and Dimensions

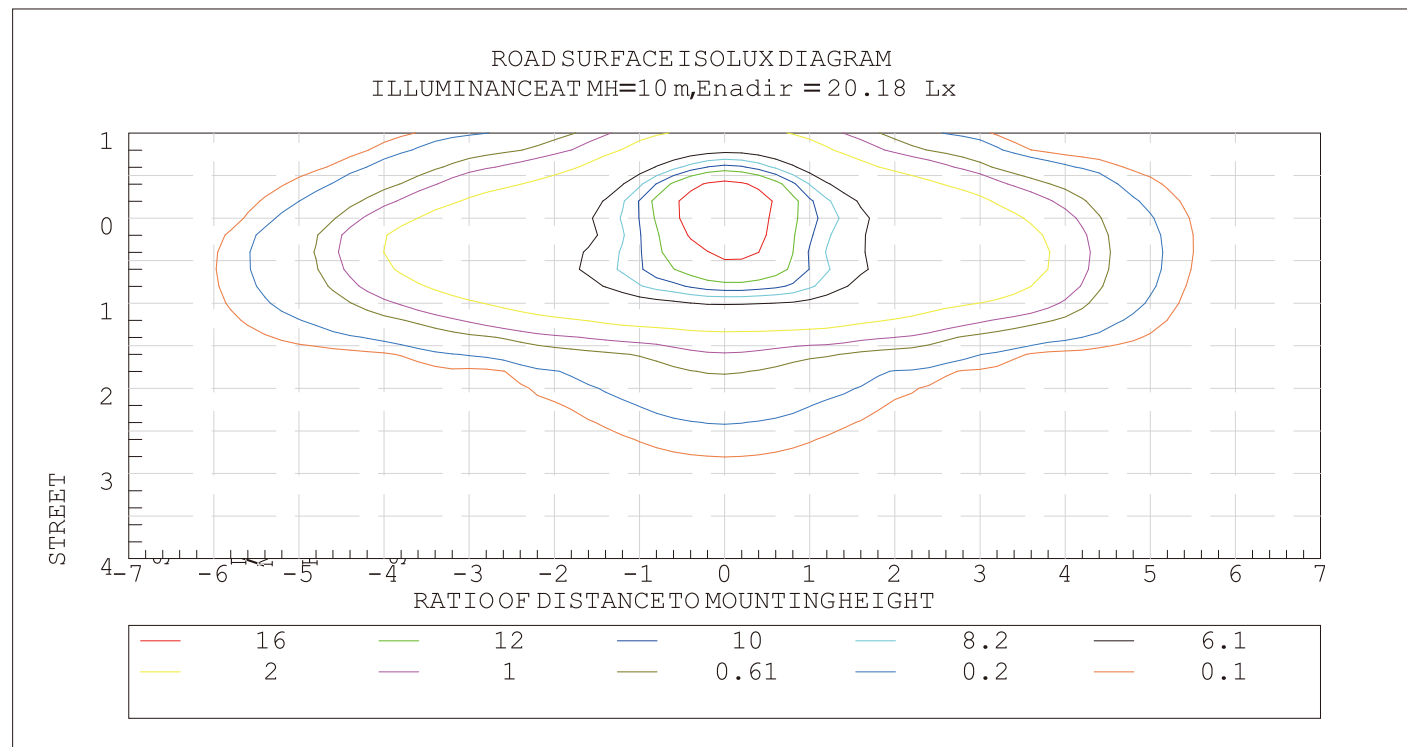
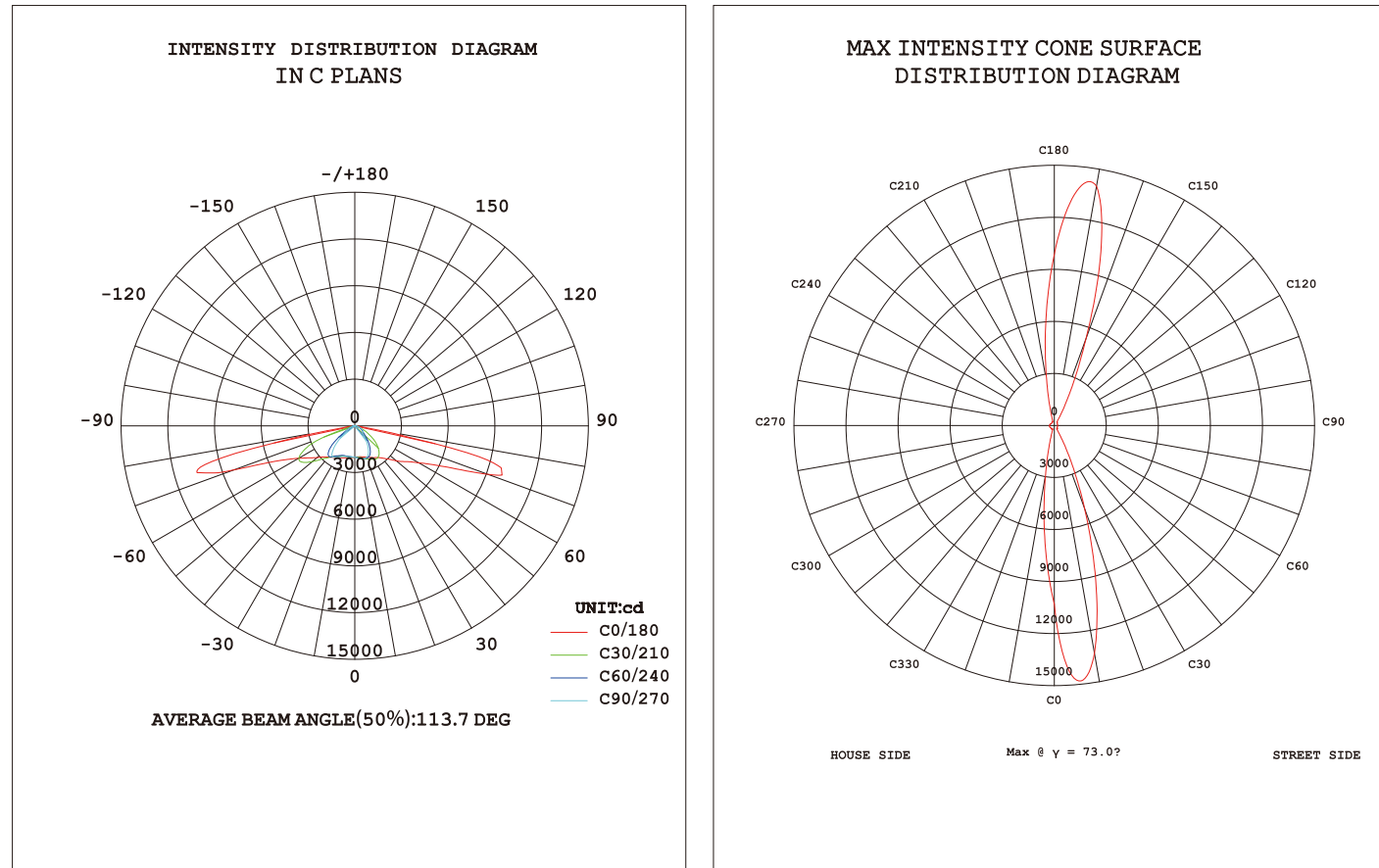


Product Images and Dimensions



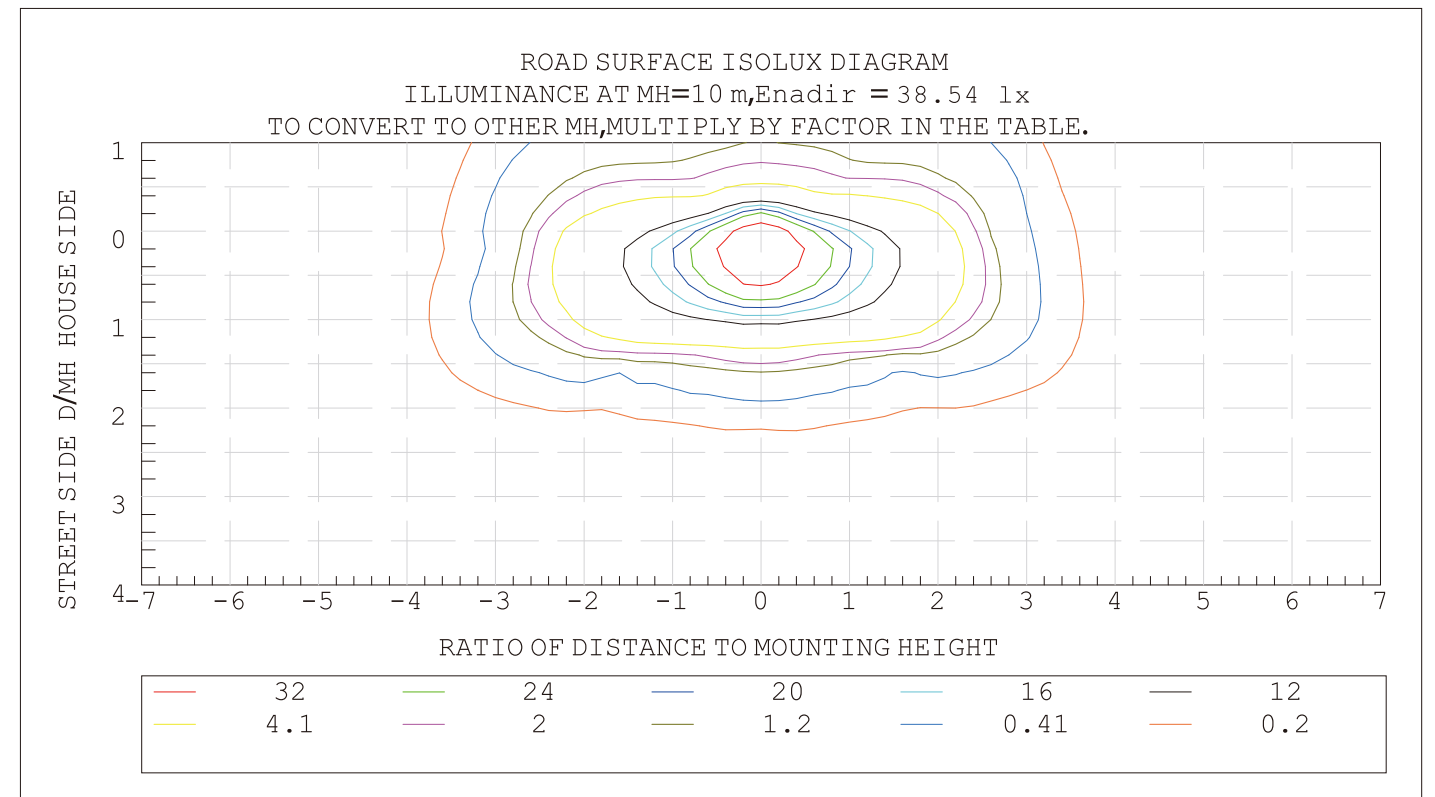
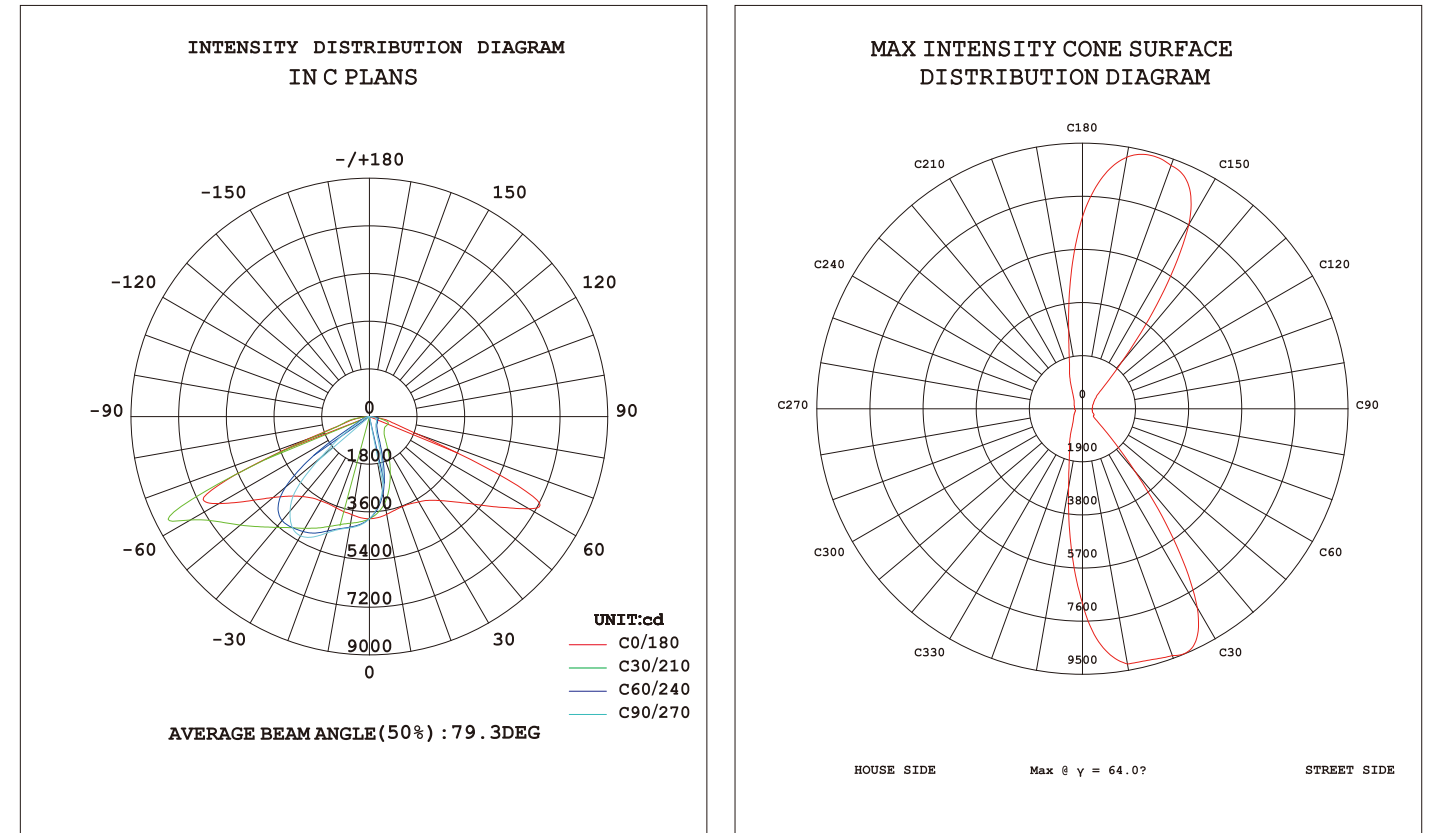
Photometrics

Optics lens kit code: T4 (A2M111)
Type II Medium



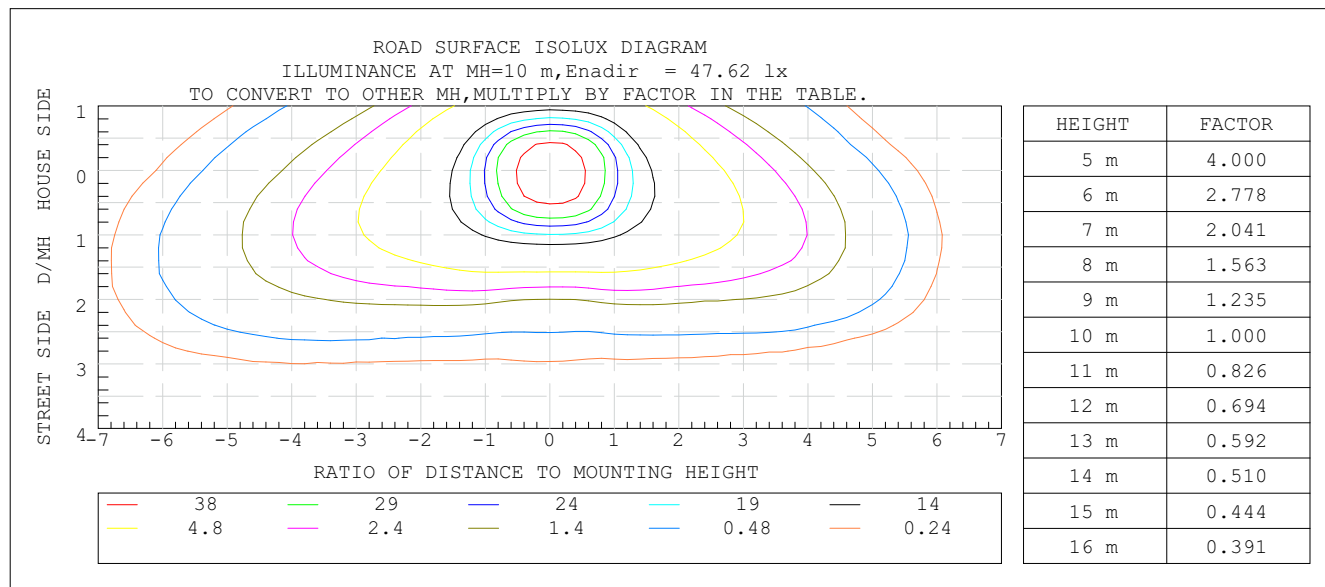
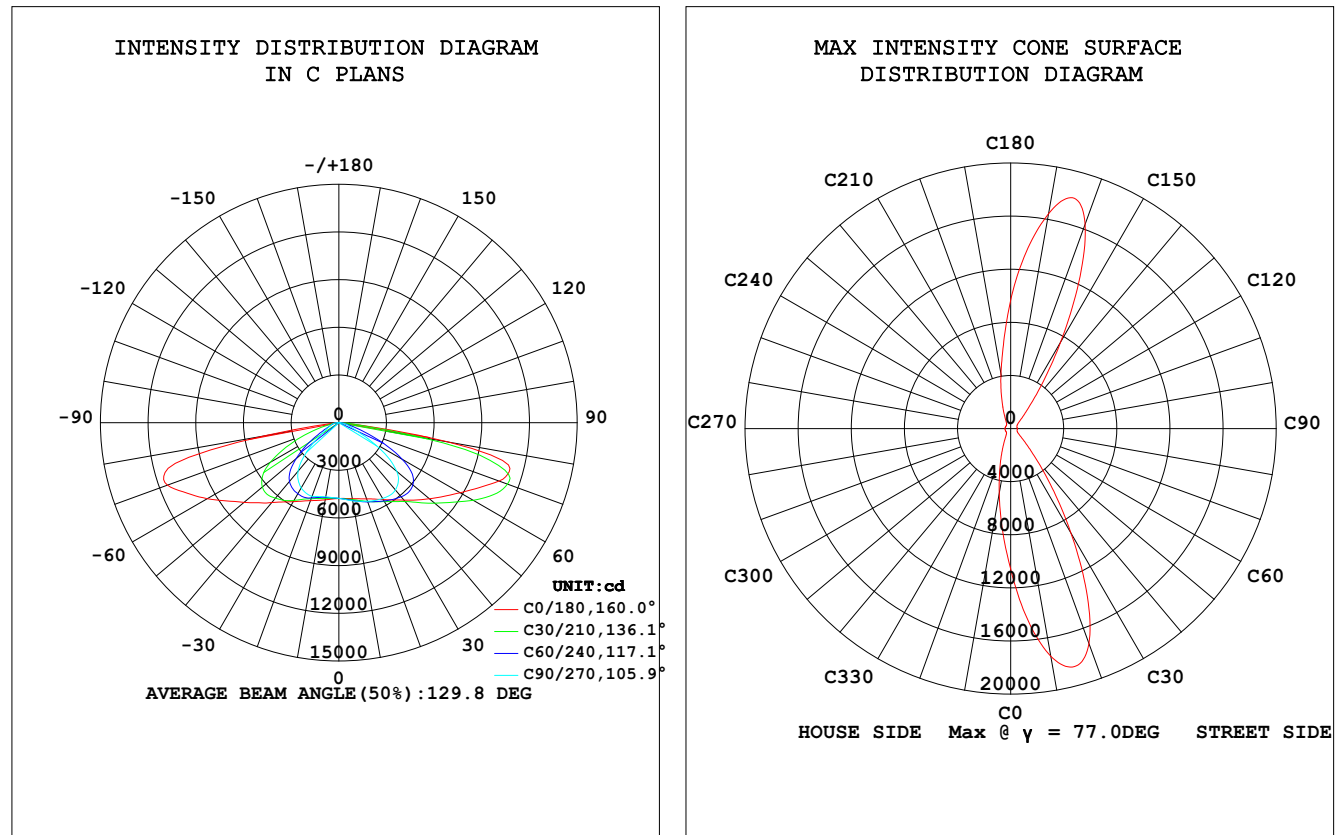
Photometrics

Optics lens kit code: T3 (A2M113)
Type II Medium



Photometrics

Optics lens kit code: T5 (A3L112)
Type III Long



Photometrics

Optics lens kit code: T6 (A4S112) (20W Modules)
Type IV Very Short

