

FEATURES:

- Wireless remote control, adjusts lighting time, light output and sensitivity for automatic detection from one unit to optimise battery lifetime and outputs
- Optically controlled microwave induction and infrared sensor, provides automatic adjustment of intelligent power on, providing additional power savings for extended cloudy days.
- Fully-digital and high-precision constant current control delivering efficiency **>96%**
- High Quality Mono-crystalline solar panel.
- True constant current rather than current-limiting control, ensures smooth and stable output current, effectively reducing LED light attenuation to extend LED service life.
- **IP66** all alloy structure.

Three Intelligent Modes Example:

Bright / DIM / Recharge.

1. **Bright:** motion activated lighting when motion is detected for security light and to save battery.
2. **DIM:** 20% lighting for saving power when no motion, until motion activated.
3. **Off/Recharge:** automatically turns off in daylight and goes into recharge mode.

Working mode can be adjusted according to client requirements and environment.

STAND ALONE CONTROL SYSTEM:

Intelligent controller for all adjustments and variations works through microwave sensor.

TIME CONTROL
LIGHT SENSOR CONTROL
MOTION SENSOR CONTROL



**MICROWAVE
SENSOR**

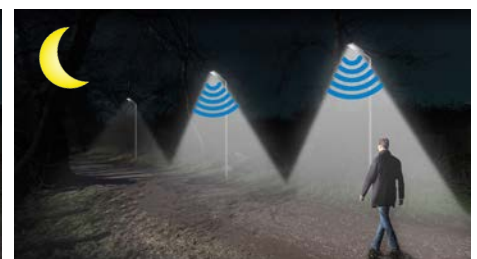
Day - Charging



Pre Set light levels



Presence Control provides increase of light level to your requirements



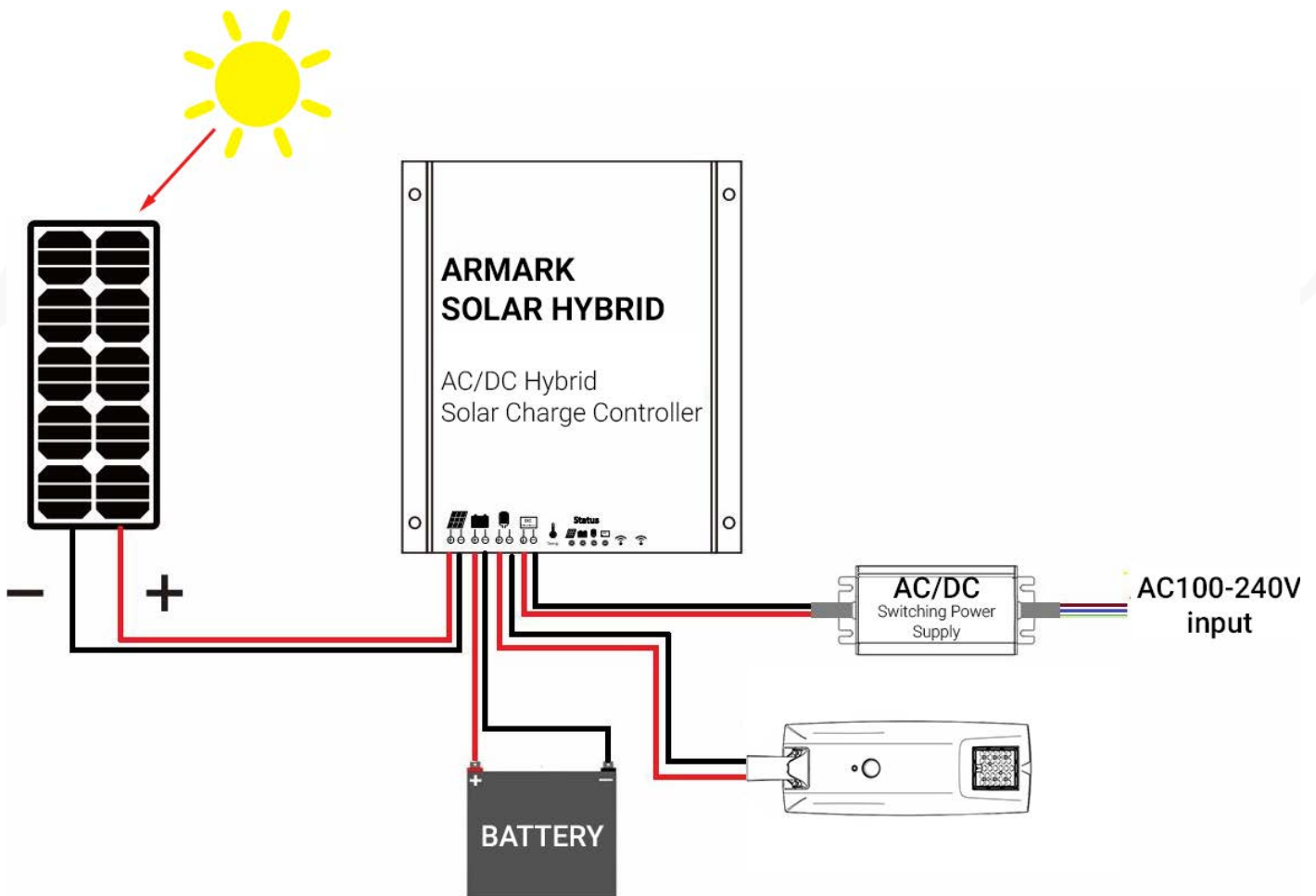


AC/DC HYBRID SOLAR POWER SYSTEM:

The Luminaire features a DC detection function for when, or if, the charge level from the battery is insufficient to power the required luminaire output, in the event no DC battery output is available the system will automatically switch to AC mains.

Once the Battery has significantly recovered the system will automatically switch back to the Battery DC supply and switch off AC mains input.

SCHEMATIC DIAGRAM:



ARMARK SOLAR HYBRID LED 20W



Solar LED Street Light

PRODUCT SPECIFICATION SHEET



DETAILS:

PRODUCT CODE	ARM-SOL-HYB-20WW	ARM-SOL-HYB-20NW
BATTERY	18650 lithium battery 12V 25 Ah	
BEAM ANGLE	150x70°	150x70°
POLE DIAMETER	60mm	60mm
LIGHT OUTPUT	20W	20W
LUMINOUS FLUX (lm)	2950	3100
CHIP BRAND	LUXEON 5050	
SOLAR PANEL	25W /18V monocrystalline silicon	
CRI	>80	
COLOUR TEMPERATURE	2700-3200K	4000-4500K
OPERATING TIME FROM FULL CHARGE	Full power: >12 hours ,Intelligent mode: 3-4 days	
CONTROL MODE	Light Control + Sensor	
MATERIAL	Die Casting Aluminum	
LUMINOUS EFFICIENCY (lm/W)	160	
LIFESPAN (hrs)	>50000	
IP RATING	IP66	
SIZE (mm)	750x257x102	750x257x102
NET WEIGHT (kg)	5.9	5.9
PACKAGE SIZE (mm)	800*295*155	800*295*155
PACKAGE QUANTITY	1	1
GROSS WEIGHT (kg)	7.0	7.0

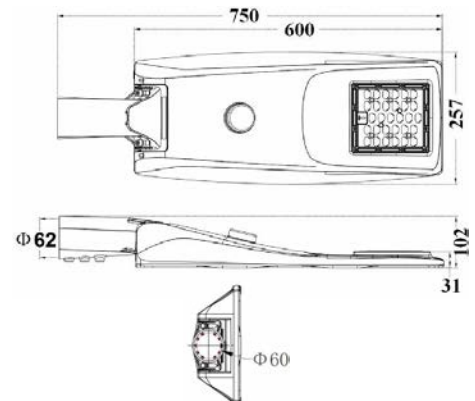
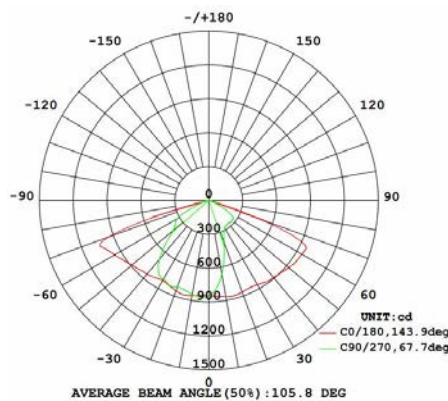
APPLICATION:

DISTRIBUTION CURVE:

DRAWINGS:

Suitable for:

- Street lighting,
- Park lighting,
- Roadway lighting,
- Perimeter lighting,
- Pathway lighting,
- Campus lighting,
- Airfield lighting,
- Ramp lighting,
- Boat dock lighting,
- Remote area lighting,



ARMARK SOLAR HYBRID LED 30W



Solar LED Street Light

PRODUCT SPECIFICATION SHEET



DETAILS:

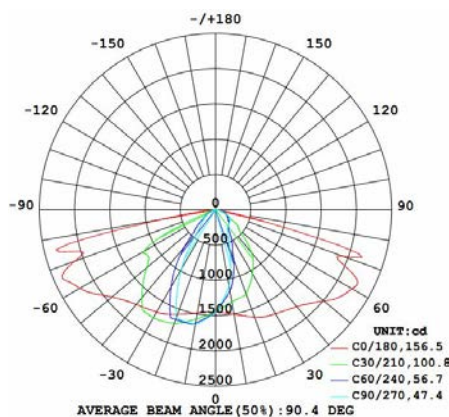
PRODUCT CODE	ARM-SOL-HYB-30WW	ARM-SOL-HYB-30NW
BATTERY	18650 lithium battery 12V 30 Ah	
BEAM ANGLE	150x70°	150x70°
POLE DIAMETER	60mm	60mm
LIGHT OUTPUT	30W	30W
LUMINOUS FLUX (lm)	4100	4560
CHIP BRAND	LUXEON 5050	
SOLAR PANEL	25W /18V monocrystalline silicon	
CRI	>80	
COLOUR TEMPERATURE	2700-3200K	4000-4500K
OPERATING TIME FROM FULL CHARGE	Full power: >12 hours ,Intelligent mode: 3-4 days	
CONTROL MODE	Light Control + Sensor	
MATERIAL	Die Casting Aluminum	
LUMINOUS EFFICIENCY (lm/W)	161	
LIFESPAN (hrs)	>50000	
IP RATING	IP66	
SIZE (mm)	750x257x102	750x257x102
NET WEIGHT (kg)	5.9	5.9
PACKAGE SIZE (mm)	800*295*155	800*295*155
PACKAGE QUANTITY	1	1
GROSS WEIGHT (kg)	7.0	7.0

APPLICATION:

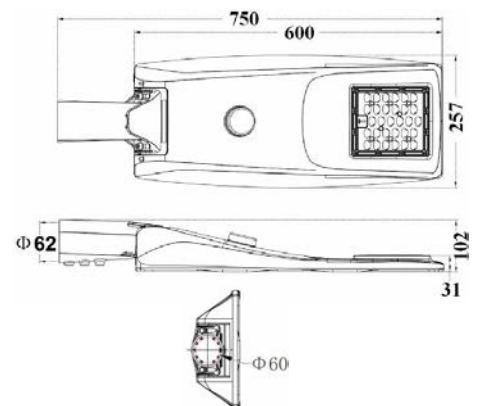
Suitable for:

- Street lighting,
- Park lighting,
- Roadway lighting,
- Perimeter lighting,
- Pathway lighting,
- Campus lighting,
- Airfield lighting,
- Ramp lighting,
- Boat dock lighting,
- Remote area lighting,

DISTRIBUTION CURVE:



DRAWINGS:



ARMARK SOLAR HYBRID LED 40W



Solar LED Street Light

PRODUCT SPECIFICATION SHEET



DETAILS:

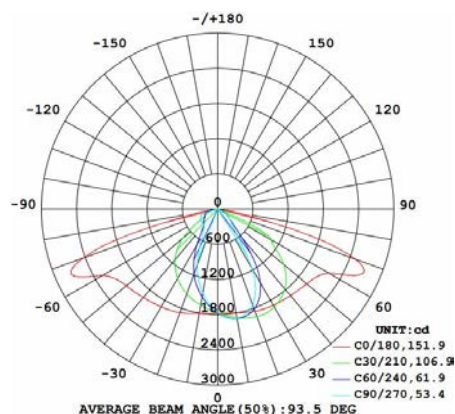
PRODUCT CODE	ARM-SOL-HYB-40WW	ARM-SOL-HYB-40NW
BATTERY	18650 lithium battery 12V 40 Ah	
BEAM ANGLE	150x70°	150x70°
POLE DIAMETER	60mm	60mm
LIGHT OUTPUT	40W	40W
LUMINOUS FLUX (lm)	4800	5400
CHIP BRAND	LUXEON 5050	
SOLAR PANEL	45W /18V monocrystalline silicon	
CRI	>80	
COLOUR TEMPERATURE	2700-3200K	4000-4500K
OPERATING TIME FROM FULL CHARGE	Full power: >12 hours ,Intelligent mode: 3-4 days	
CONTROL MODE	Light Control + Sensor	
MATERIAL	Die Casting Aluminum	
LUMINOUS EFFICIENCY (lm/W)	162	
LIFESPAN (hrs)	>50000	
IP RATING	IP66	
SIZE (mm)	945x298x127	945x298x127
NET WEIGHT (kg)	9.8	9.8
PACKAGE SIZE (mm)	1000*340*180	1000*340*180
PACKAGE QUANTITY	1	1
GROSS WEIGHT (kg)	10.9	10.9

APPLICATION:

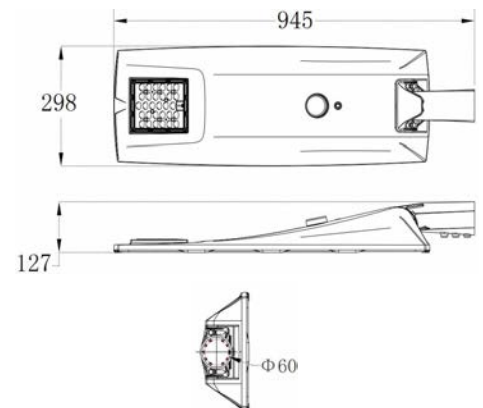
Suitable for:

- Street lighting,
- Park lighting,
- Roadway lighting,
- Perimeter lighting,
- Pathway lighting,
- Campus lighting,
- Airfield lighting,
- Ramp lighting,
- Boat dock lighting,
- Remote area lighting,

DISTRIBUTION CURVE:



DRAWINGS:

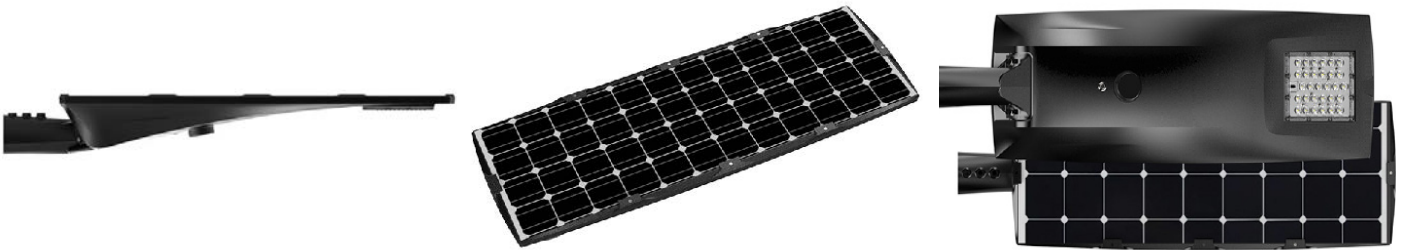


ARMARK SOLAR HYBRID LED 50W



Solar LED Street Light

PRODUCT SPECIFICATION SHEET



DETAILS:

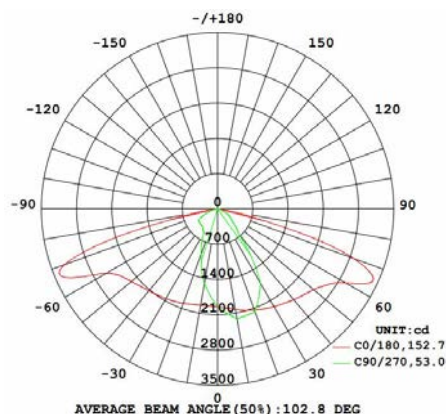
PRODUCT CODE	ARM-SOL-HYB-50WW	ARM-SOL-HYB-50NW
BATTERY	18650 lithium battery 12V 50 Ah	
BEAM ANGLE	150x70°	150x70°
POLE DIAMETER	60mm	60mm
LIGHT OUTPUT	50W	50W
LUMINOUS FLUX (lm)	6000	6700
CHIP BRAND	LUXEON 5050	
SOLAR PANEL	45W /18V monocrystalline silicon	
CRI	>80	
COLOUR TEMPERATURE	2700-3200K	4000-4500K
OPERATING TIME FROM FULL CHARGE	Full power: >12 hours ,Intelligent mode: 3-4 days	
CONTROL MODE	Light Control + Sensor	
MATERIAL	Die Casting Aluminum	
LUMINOUS EFFICIENCY (lm/W)	160	
LIFESPAN (hrs)	>50000	
IP RATING	IP66	
SIZE (mm)	945x298x127	945x298x127
NET WEIGHT (kg)	10	10
PACKAGE SIZE (mm)	1000*340*180	1000*340*180
PACKAGE QUANTITY	1	1
GROSS WEIGHT (kg)	11.1	11.1

APPLICATION:

Suitable for:

- Street lighting,
- Park lighting,
- Roadway lighting,
- Perimeter lighting,
- Pathway lighting,
- Campus lighting,
- Airfield lighting,
- Ramp lighting,
- Boat dock lighting,
- Remote area lighting,

DISTRIBUTION CURVE:



DRAWINGS:

