

Armadillo LED - Evolution In Lighting

Tel. 0845 060 4000 Intl. +44 1371 87 69 69
Fax. 0845 060 4001 Intl. +44 1371 87 54 37

Bigods Hall | Bigods Lane | Great Dunmow | Essex | CM6 3BE | England

email: sales@armark.com web: www.armadilloLED.com online: @armadilloled



Chameleon Inground LED RGBW IP68 Lighting Monochrome or RGBW



© 2014 Armadillo LED - Evolution In Lighting (part of Armadillo Marketing Limited est. 1996)
All rights reserved. Reproduction in whole or in part is prohibited without the prior written consent of the copyright owner. The information presented in this document does not form part of any quotation or contract, is believed to be accurate and reliable and may be changed without notice.
No liability will be accepted by the publisher for any consequence of its use.



Chameleon Inground LED RGBW Lighting

In Ground Fittings

Single Chip Monochrome Series



Surface Mounted Fittings



Three Chip Monochrome or RGBW Series



Five Chip Monochrome or RGBW Series



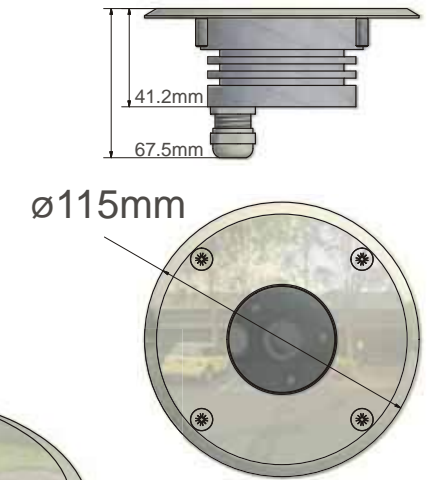
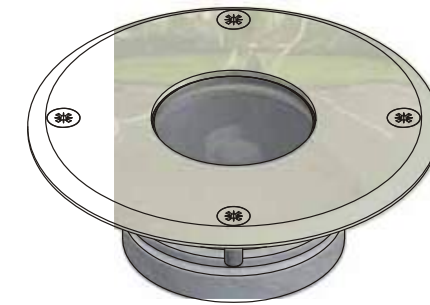
Chameleon Inground LED RGBW Lighting

Single Chip Monochrome Mini Series

Colour Temperature: 3000k, 4000k, or 5000k
 Beam Angle: 25° (On request: 10°, 40°)
 Luminous Flux: 600lm
 Power: 7W
 Voltage range: 88-264 VAC; 124-370 VDC
 IP Rating: IP68



H:160mm



Single Chip RGBW Mini Series

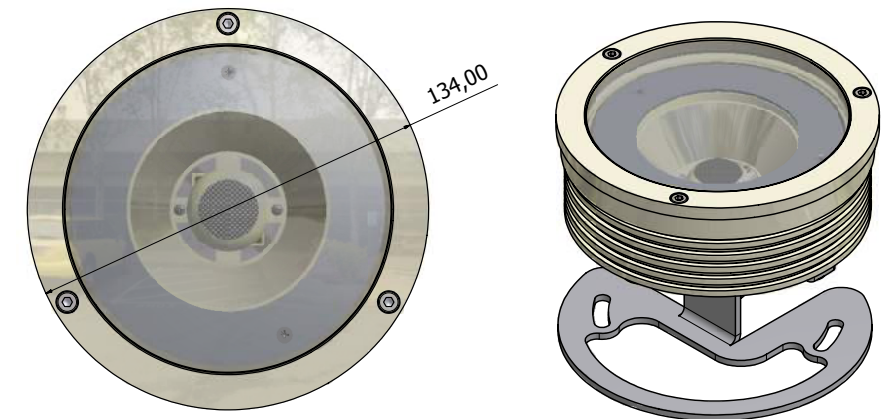
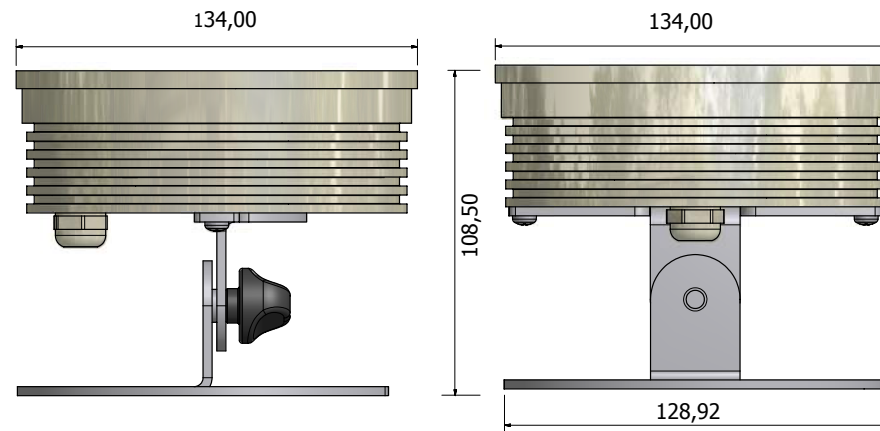
Colour Temperature: RGBW
 Beam Angle: 25° (On request: 10°, 40°)
 Luminous Flux: 265lm
 (red: 50lm, green: 90lm, blue: 25lm, white: 100lm)
 Power: 7W
 Voltage range: 88-264 VAC; 124-370 VDC IP
 Rating: IP68



Single Chip Monochrome Series

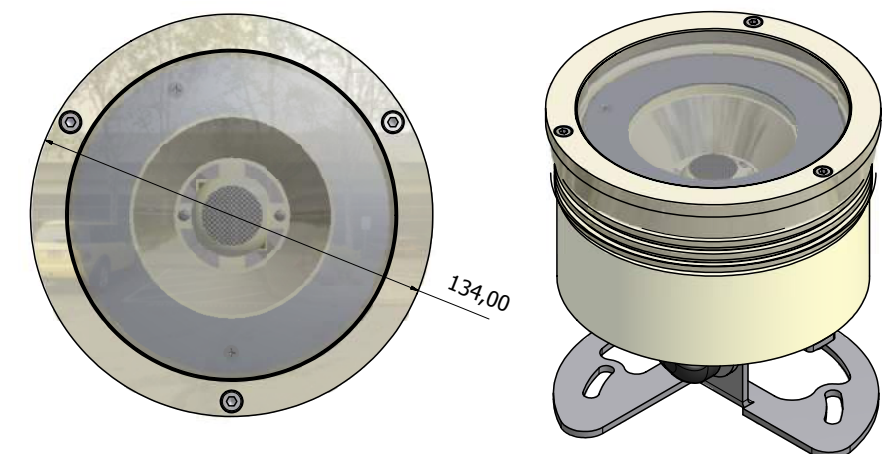
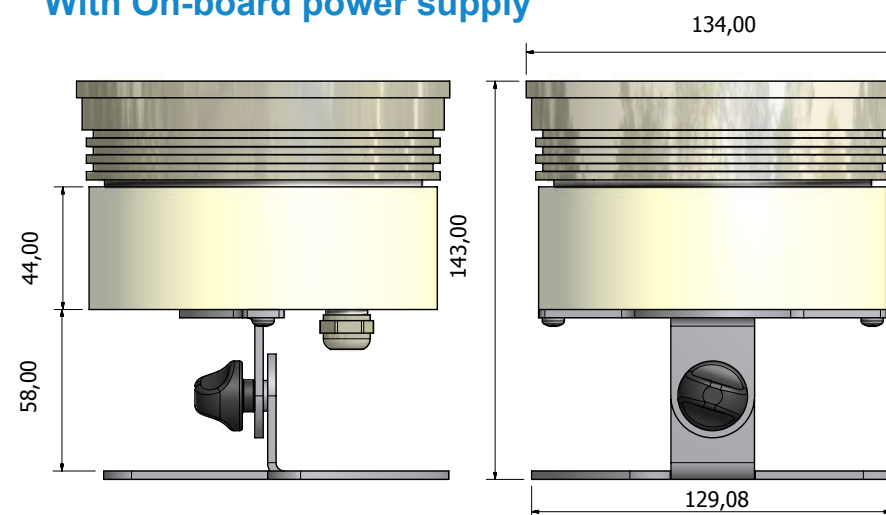


Without On-board power supply



Colour Temperature: 3000k, 4000k, or 5000k
 Beam Angle: 34°
 Luminous Flux: 2800lm
 Power: 23W
 Voltage range: 88-264 VAC; 124-370 VDC
 IP Rating: IP68

With On-board power supply



3 Chip Monochrome Series



Colour Temperature: 3000k, 4000k or 5000k
Beam Angle: 25° (10°, 40° on request)
Luminous flux: 1920 lm
Power: 21W
Voltage range: 88-264 VAC; 124-370 VDC
IP Rating: IP68

3 Chip RGBW Series



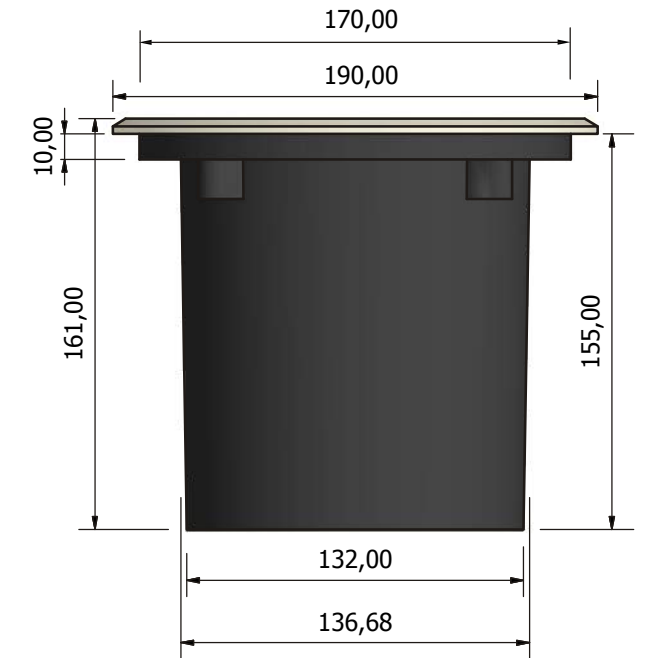
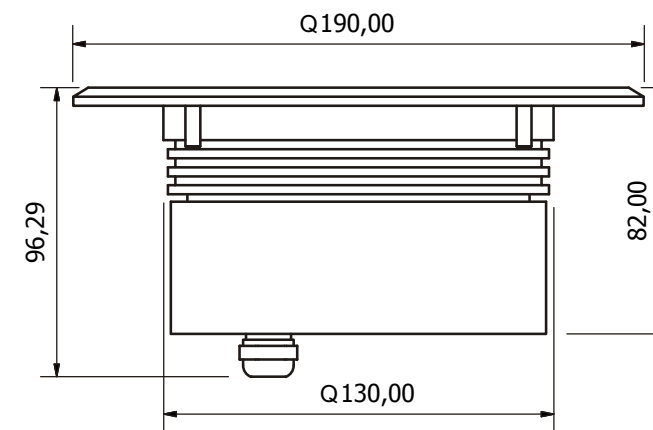
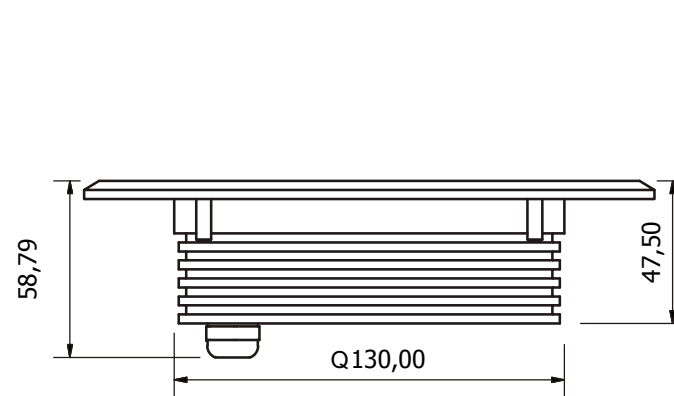
Colour: RGBW or Monochrome
Beam Angle: 25° (10°, 40° on request)
Luminous flux: 940lm
Power: 21W
Voltage range: 88-264 VAC; 124-370 VDC
IP Rating: IP68

5 Chip RGBW Series

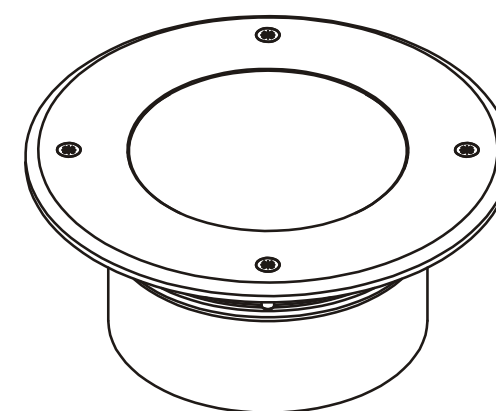
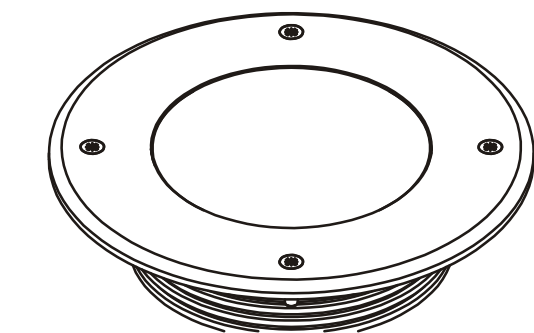
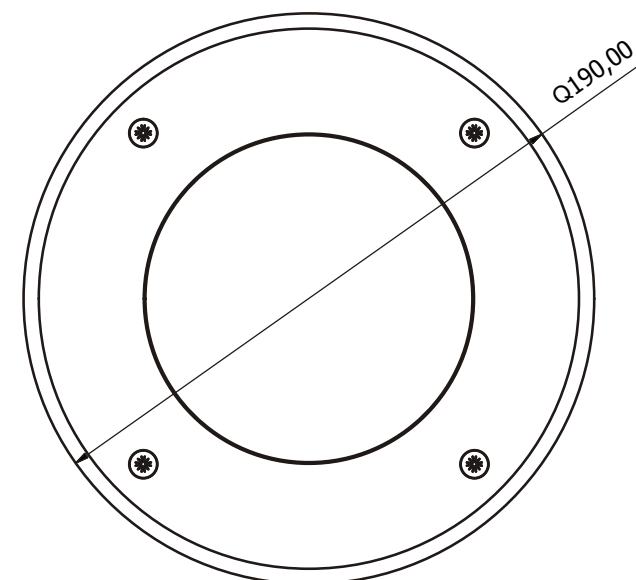
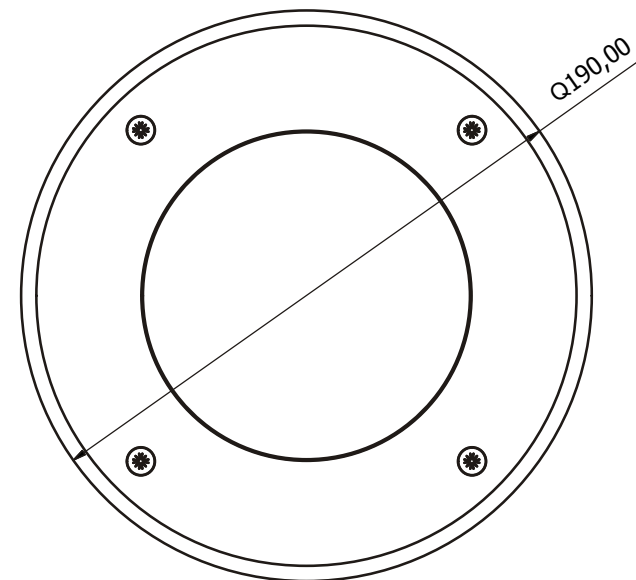


Colour: RGBW or Monochrome
Beam Angle: 25° (10°, 40° on request)
Luminous flux:
 1250lm (24W)
 2080lm (40W)
Power: 24W or 40W
Voltage range: 88-264 VAC; 124-370 VDC
IP Rating: IP68

3 Chip & 5 Chip Dimensions & Drawings

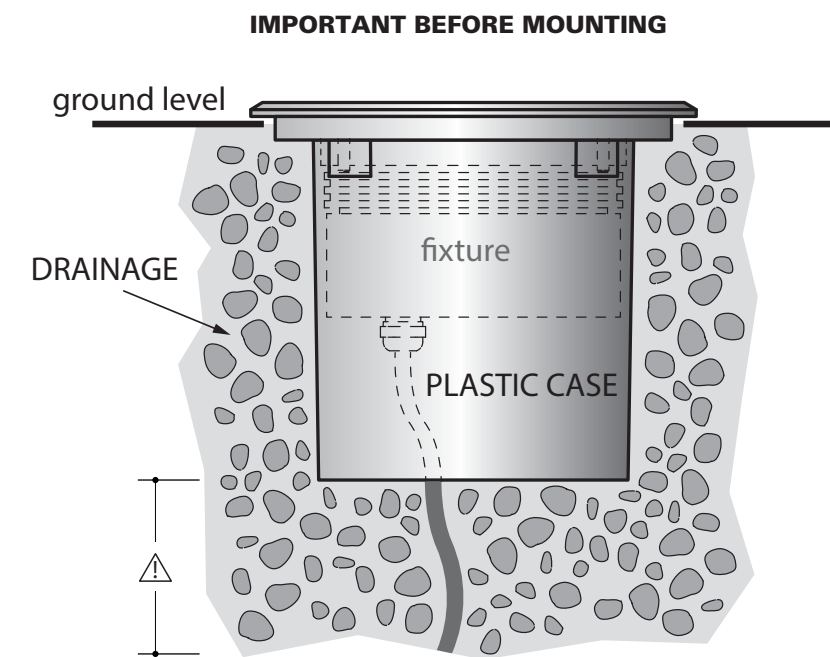


Plastic inground casing



Without on board power supply

With on board power supply

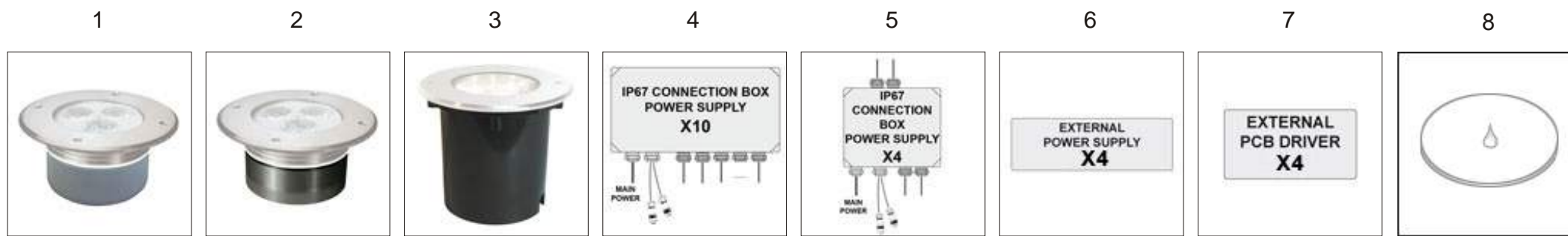


IMPORTANT BEFORE MOUNTING
 ⚠ be sure to create sufficient drainage around the plastic case

Chameleon Inground LED RGBW Lighting

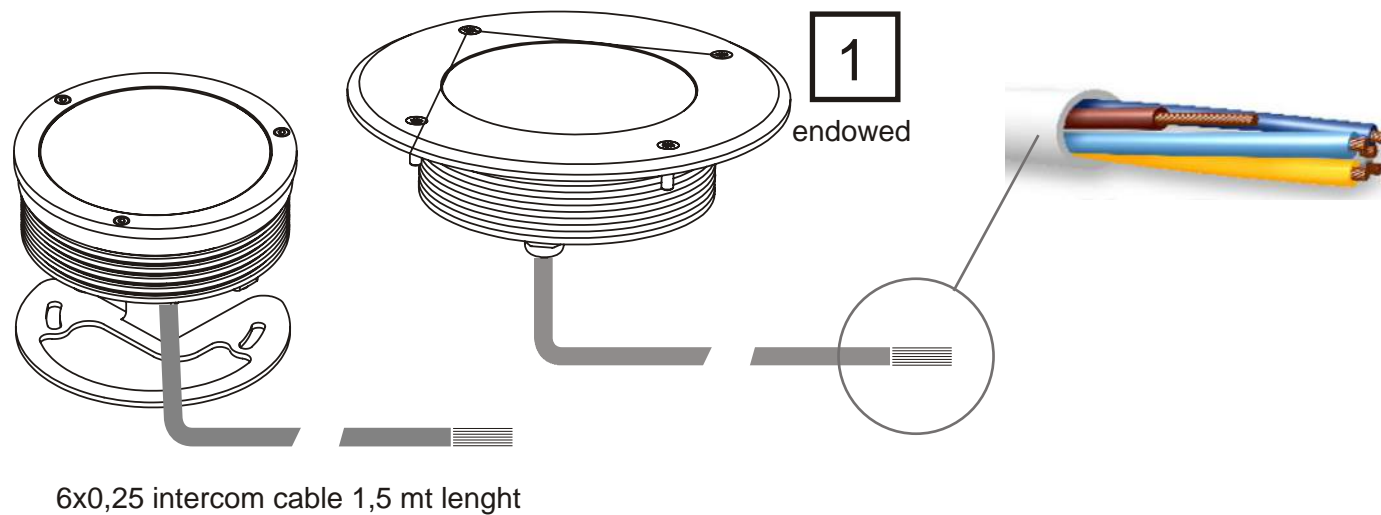
Available accessories:

- 1) Product. INGROUND W-PS ON BOARD/D: On board Power Supply for monochromatic ING series. IP 67. (Delrin box)
- 2) Product. INGROUND W-PS ON BOARD/SS: On board Power Supply for monochromatic ING series. IP 67. (Stainless steel box)
- 3) Product. INGROUND PLASTIC CASE: Inground plastic case for ING series
- 4) Product. INGROUND RGBW CONTROL DRIVE 10: Control Drive for RGBW ING series to control up to 10 fixtures simultaneously. In IP67 box.
- 5) Product. INGROUND RGBW CONTROL DRIVE 4: Control Drive for RGBW ING series to control from 1 to 4 fixtures simultaneously. In IP67 box.
- 6) Product. INGROUND RGBW PS: External Power Supply for RGBW ING series to control up to 4 fixtures simultaneously. Without box. To be used with art. ING PCB DRIVER.
- 7) Product. INGROUND PCB DRIVER: External PCB Driver for RGBW ING series to control up to 4 fixtures simultaneously. Without box. To be used with art. ING RGBW PS.
- 8) Product. 17° or 34° deflector glass to direct light onto target



Example of 34° deflector glass

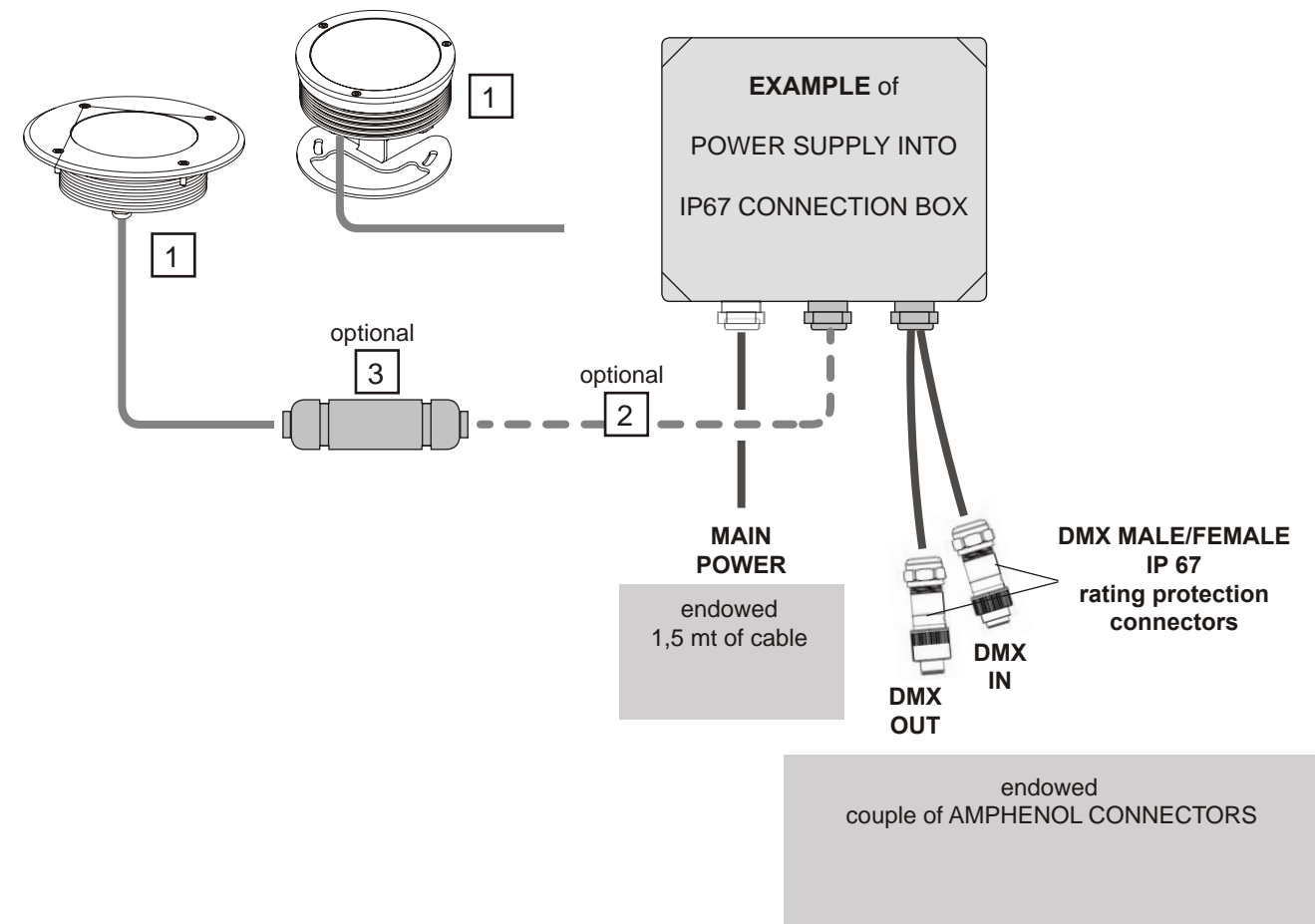
1 ENDOWED WITH THE FIXTURE



WARNING

THE UNIT IS EQUIPPED WITH 1.5 MT. CABLE 6X0,25 ALREADY CONNECTED. DO NOT OPEN OR TAMPER THE CABLE GLANDS UNDER THE FIXTURE

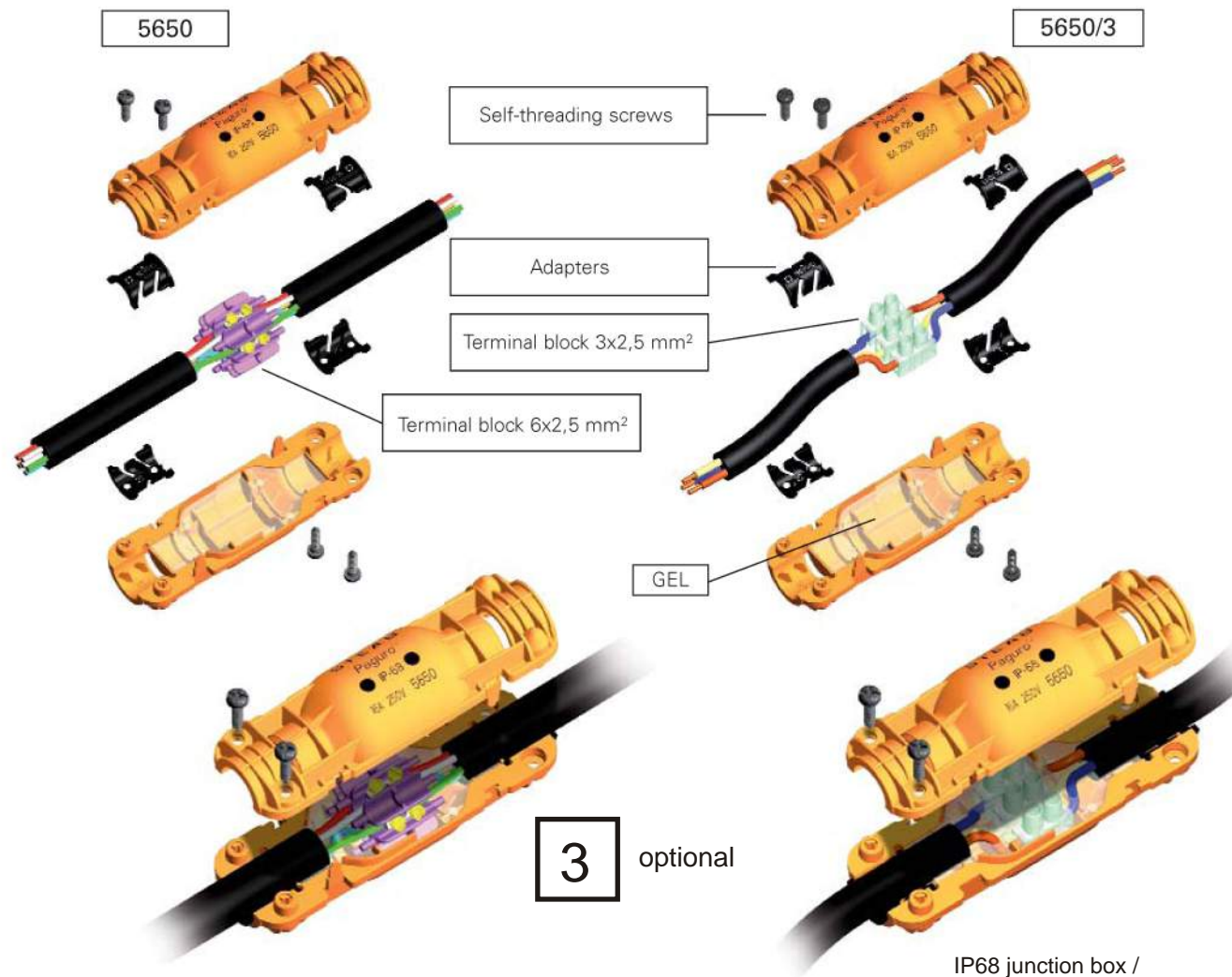
EXAMPLE OF CONNECTION BOX WITH POWER SUPPLY /



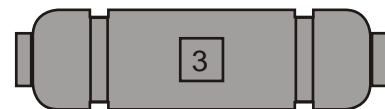
OPTIONAL IP68 CONNECTOR FOR FURTHER CONNECTING OF THE FIXTURE

Protected against prolonged effects of immersion under pressure and totally dust tight. These connectors are ideal for use in harsh environments.

3 OPTIONAL IP68 CONNECTOR FOR FURTHER CONNECTING OF THE FIXTURE



NOTE: it's possible to insert the connector in a tube internal Ø 30 mm min.

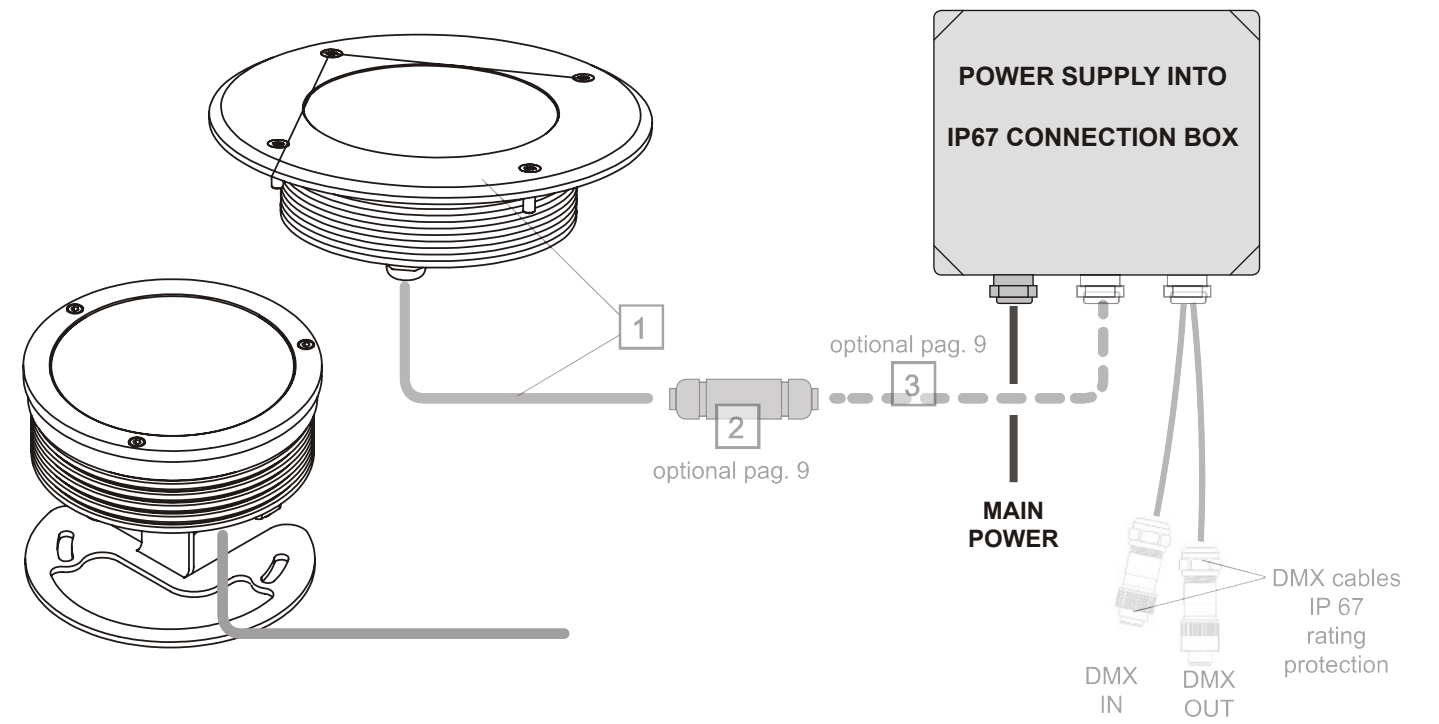


CONNECTION TO THE MAIN POWER

This equipment must be earthed.

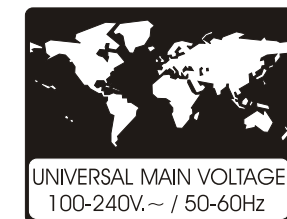
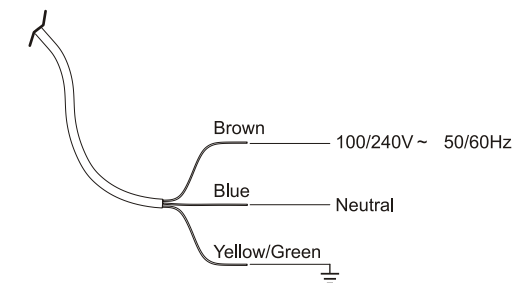
Class I equipment. The power supply cord includes a protective earthing conductor as part of the cord. **IMPORTANT:** To ensure the IP68 protection rating, in case of replacement of the conductor cable, refer to the CONDUCTOR SIZE TABLE

EXAMPLE OF MAIN POWER CONNECTION



! WARNING

MAIN POWER/ Ø 6 - 12mm	
CONDUCTOR SIZES / (length < 20mt.)	
MAINS VOLTAGE	CROSS SELECTIONAL AREAS
230V	3X1 mm ² (minimum)



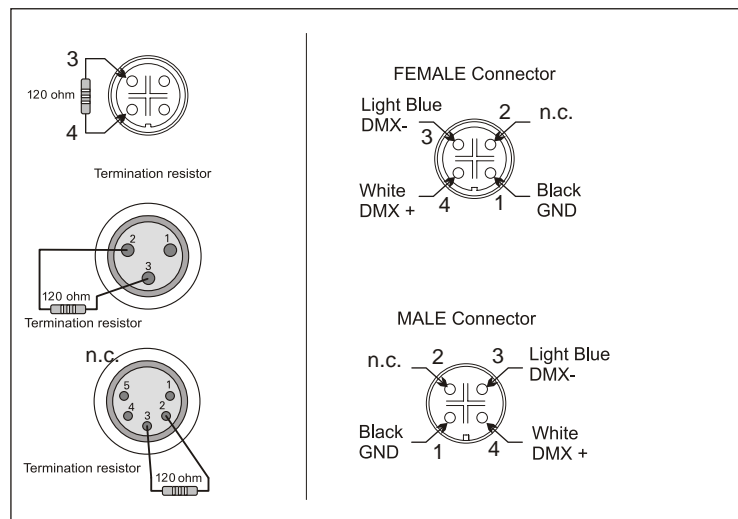
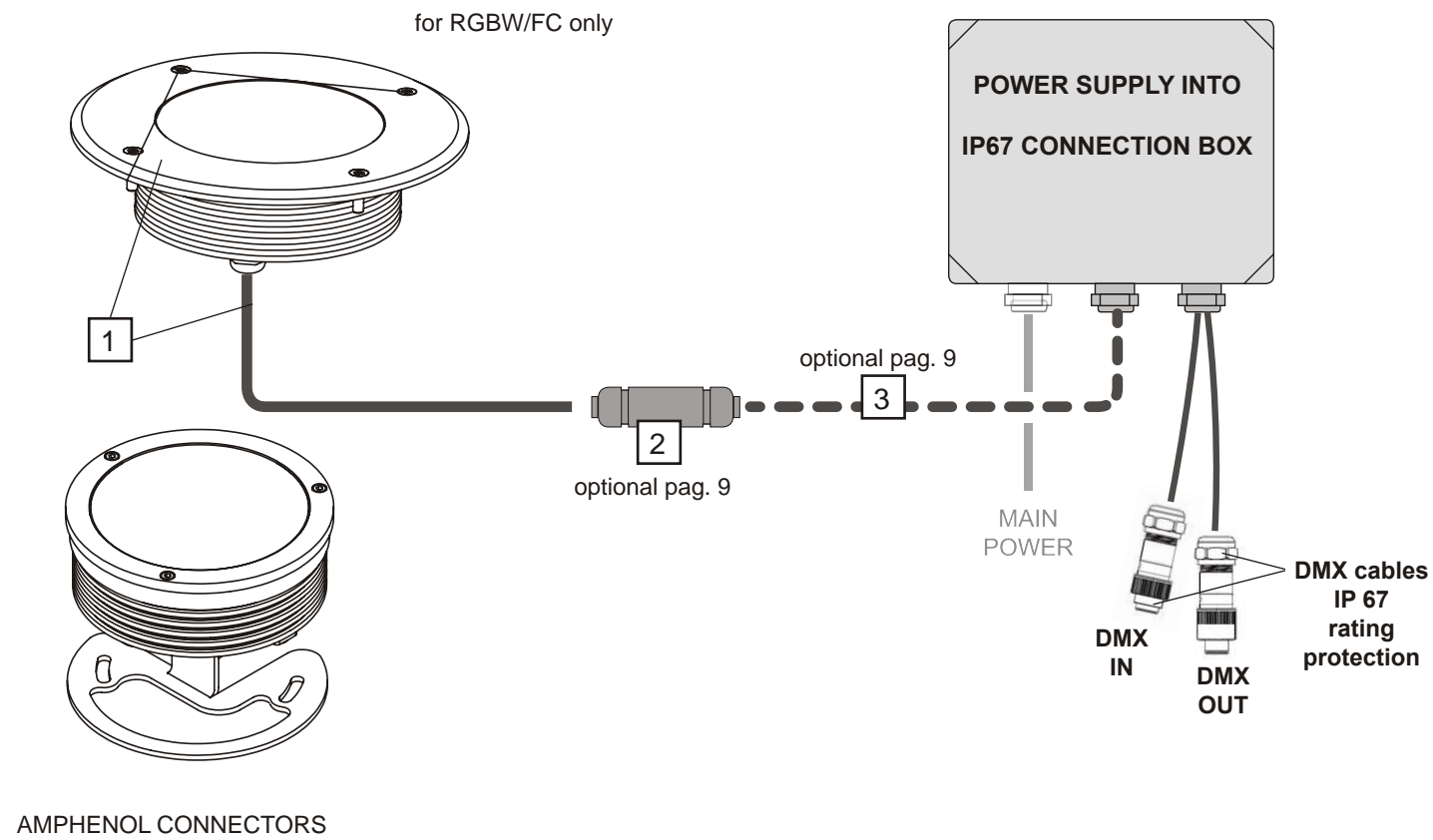
Chameleon Inground LED RGBW Lighting

RGBW
DMX Connection

DMX Terminal Line

The wrong connection of the terminal line or its non-connection are probably the most frequent reasons for the defective functioning of the DMX line. The terminator is a terminal resistor fitted at the end of the cable furthest from the transmitter. The terminal resistor should have the same value as the impedance of the connection cable. We suggest to use a terminal with a 120 Ohm resistor. It is recommended that all DMX 512 systems have the terminal resistor fitted in the DMX output of the last fixture.

EXAMPLE OF DMX CONNECTION

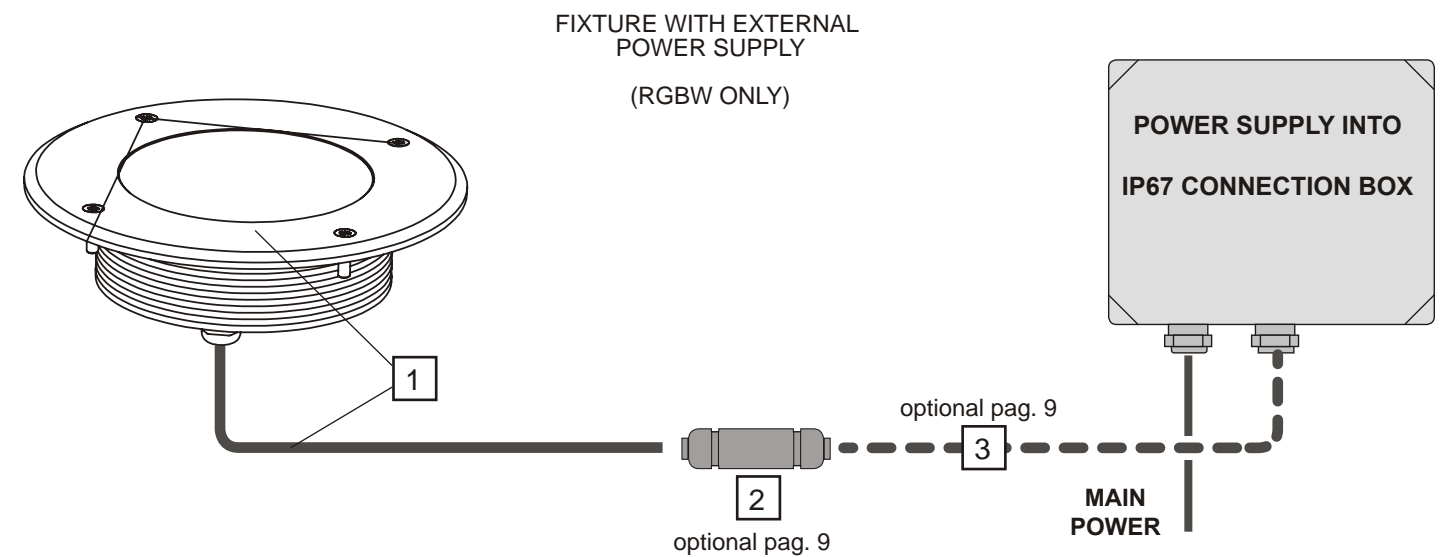


Monochromatic

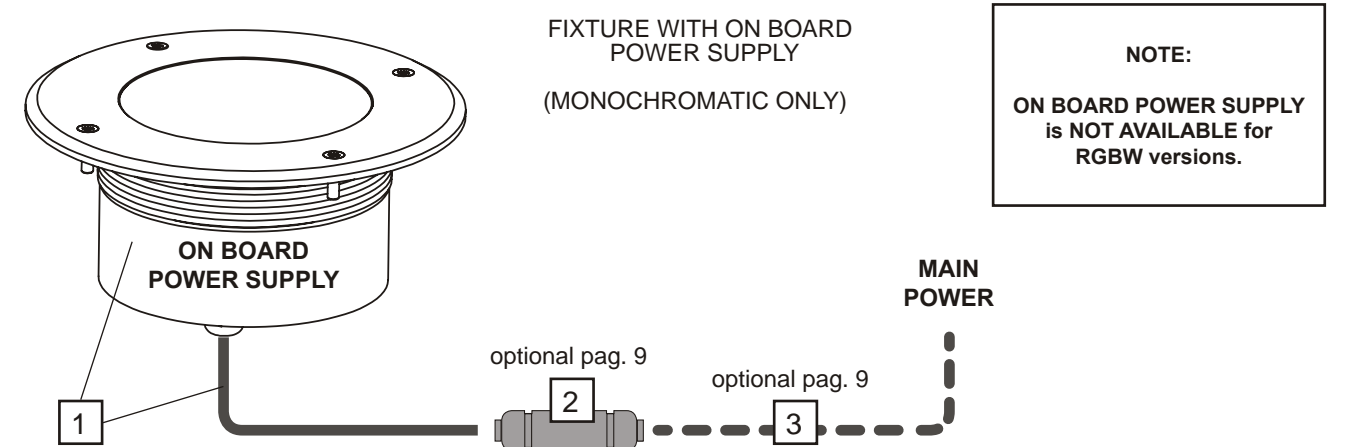
CONNECTION TO THE MAIN POWER

This equipment must be earthed. Class I equipment. The power supply cord includes a protective earthing conductor as part of the cord. IMPORTANT: to ensure the IP67 protection rating, in case of replacement of the conductor cable, refer to the CONDUCTOR SIZE TABLE

EXAMPLE OF MAIN POWER CONNECTION



EXAMPLE OF MAIN POWER CONNECTION



WARNING

POWER INPUT/ Ø 6 - 12mm	
CONDUCTOR SIZES (length < 20mL)	
MAINS VOLTAGE	CROSS SELECTIONAL AREAS
230V	3X1 mm ² (minimum)

